

Saia-Burgess Controls AG

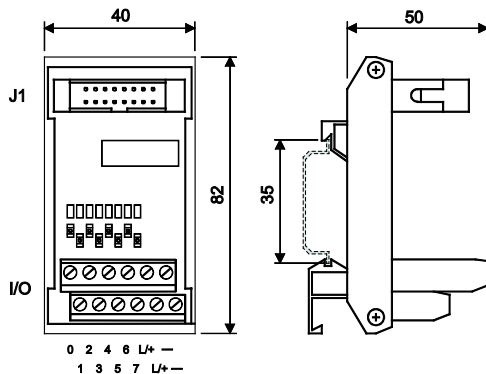
Bahnhofstrasse 18, 3280 Murten, Switzerland
 T +41 26 580 30 00, F +41 26 580 34 99
 www.saia-pcd.com

Type and order code

Terminal block PCD2.K510, 8 pole, without LEDs

Terminal block PCD2.K511, 8 pole, with LEDs – for source mode only

J1	I/O
2	7
4	6
6	5
8	4
10	3
12	2
14	1
16	0
1/3/5/7	-
9/11/13/15	L/+



PCD end: 16-pole ribbon connector

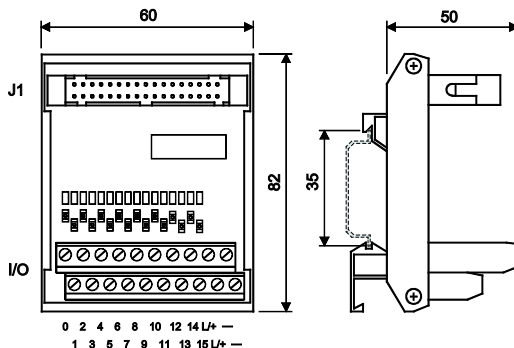
Process end: 12 screw terminals, 0.5...1.5mm²

Type and order code

Terminal block PCD2.K520, 8 pole, without LEDs

Terminal block PCD2.K521, 8 pole, with LEDs – for source mode only

J1	I/O
2	15
4	14
6	13
8	12
10	11
12	10
14	9
16	8
18	7
20	6
22	5
24	4
26	3
28	2
30	1
32	0
1/3/5/7/17 /19/21/23	-
9/11/13/15 /25/27	L/+

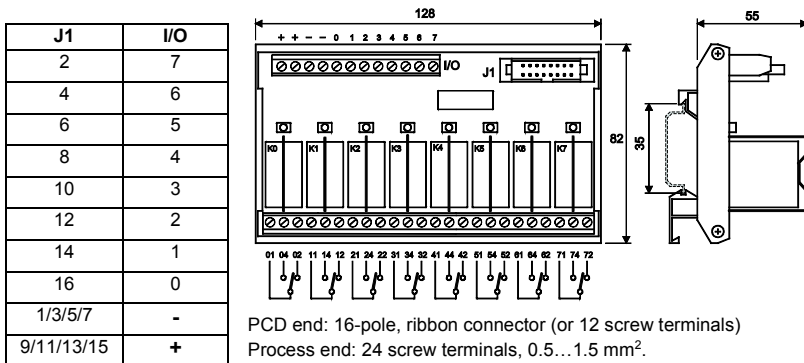


PCD end: 34-pole ribbon connector

Process end: 20 screw terminals, 0.5...1.5 mm².

Type and order code

Relay interface PCD2.K551, with 8 relays G2RL-1 and LEDs



Relay interface for PCD2.A460 with 8 plug-in relays. The logic state of the relay is indicated with a LED.

- Relay switched on LED on
- Relay switched off LED off

Relay type G2RL-1 (extract of manufacturers data)	
Input voltage	24 VDC
Input current	31 mA
Max. turn-on voltage	440 VAC / 300 VDC
Rated current	12 A
Max. load at cosφ = 1	3000 VA (AC) / 360 W (DC)
Max. load at cosφ = 0.4	1250 VA (AC) / 150 W (DC)
Min. load	100 mA / 5 VDC
Switch On delay t on	7 ms
Switch Off delay t off	2 ms
Isolation contact coil	5 kVAC
Isolation between contacts	1 kVAC
Mechanical life (relay)	20 * 10 ⁶ cycles
Electrical life (relay)	100'000 cycles at 12 A/250 VAC (cos φ = 1)
Max. operating frequency, mechanical	18'000 operations/hour 1'800 operations/hour at rated load
electrical	
Ambient temperature	-40°C bis +85°C
	EAC Mark of Conformity for Machinery Exports to Russia, Kazakhstan or Belarus