

KFT100/200

Monitoring relays

- Electric motor monitoring by PTC
- PTC short circuit monitoring
- PTC broken wire detection with memory function (KFT200)
- 230 VAC

From left to right: KFT100, KFT200



		KFT100	KFT200
Function	Electric motor monitoring by PTC	•	•
	Short circuit monitoring in the PTC	•	•
	Broken wire detection in the PTC	•	•
	Memory function		•
Reset	automatic	•	
	manual or automatic		•
Output	1 relay (NO contact)	•	
	2 relays (change-over contact)		•
Operating voltage	230 VAC, 0/60 Hz	•	•
Function control	LED display	•	•
Order no.		KFT100JE1N	KFT200KE1N

Technical data

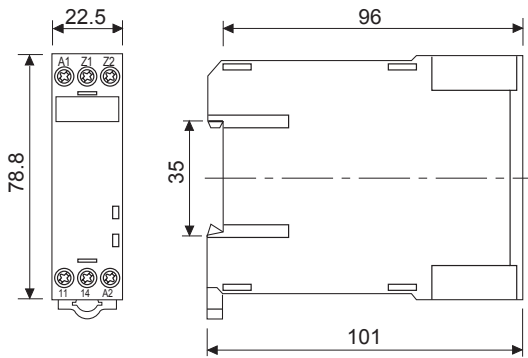
KFT100 temperature monitoring

KFT200 temperature monitoring with saving function

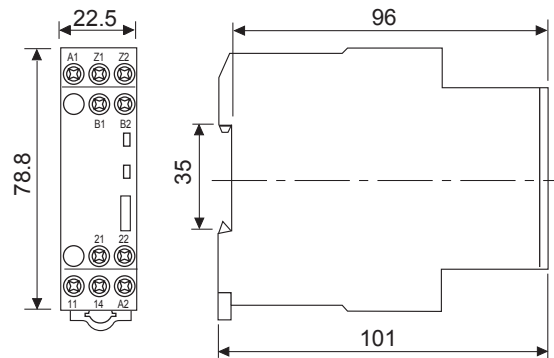
Operating voltage (U_N)	230 VAC, 0/60 Hz	230 VAC, 0/60 Hz
Tolerance	$\pm 15\%$	$\pm 15\%$
Duty cycle	100 %	100 %
Power consumption	≤ 3 VA	≤ 3 VA
Minimum response time	100 ms	100 ms
Max. Supply cable length	100 m	100 m (cable capacity 10 nF/100 m)
Max. Signal and reset cable length	40 m	40 m
Immunity against short operating voltage interruptions	≤ 200 ms	≤ 200 ms
Memory function	No	Yes, by selector switch
Insulation characteristics	2.5 kVAC / 50 Hz test voltage in accordance with VDE part 200 and 6 kV surge voltage in accordance with IEC60947-5-1	
Function control	Red LED for errors, green LED for power supply	
Output	1 make contact 8 A	2 changeover contacts 8 A
Switching capacity	U= 440 VAC I _{th} = 8 A P= 2000 VA 3 A/250 VAC (AC 15), 3 A/440 VAC (A14) or 1 A/24 VDC (DC13) in accordance with IEC60947-5-1	
PTC type	Type A in accordance with DIN VDE D660 part 303	
PTC quantity	Up to 6	
PTC monitoring		
Short circuit	< 20 Ω	
Temperature OK	> 20 Ω .. < 3 k Ω	
Reset	< 1.3 k Ω	
Conductor breakage	> 3 k Ω	
EMC	Surge in accordance with IEC61000-4-5; 4 kV Burst in accordance with IEC61000-4-4; 4 kV ESD in accordance with IEC61000-4-2; 8 kV	
Protection class	Housing IP40, terminals IP20	
Ambient temperature	Operation (including) -20 °C to +55 °C Storage: -40 °C to +70 °C	
Mounting	Surface mounting; snap-on mounting on 35 mm rail according to EN60715TH35, or screw mounting by an adaptor (accessories) and 2 screws (M4). Can be mounted in any position	
Connections	Screw terminals for 1 \times 0.5 mm ² or 2 \times 2.5 mm ² (solid wire) or 2 \times 1.5 mm ² (multistrand with end sleeve). AWG 14...20, with two-chamber system. M3.5 screws for Pozidrive no. 2 (or Phillips) and slotted head no. 2 suitable for drill/driver (max. 1.2 Nm). Finger protection in accordance with VDE0106	

Dimension diagrams

KFT100

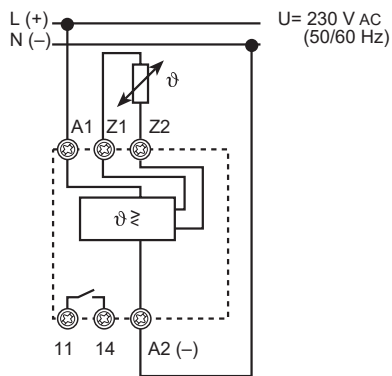


KFT200

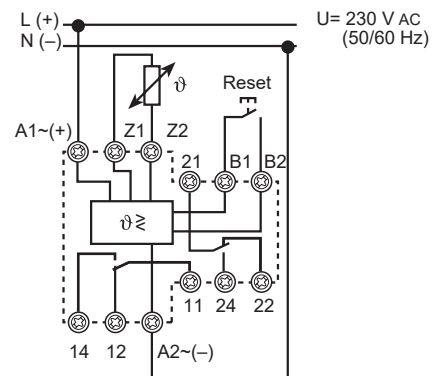


Connection diagram

KFT100



KFT200



Saia-Burgess Controls AG

Bahnhofstrasse 18 | 3280 Murten, Switzerland

T +41 26 580 30 00 | F +41 26 580 34 99

www.saia-pcd.com

support@saia-pcd.com | www.sbc-support.com