

PCD3.E160

16 digital inputs, ribbon cable connector

Module for source or sink operation with 16 inputs, electrically connected. Suitable for most electronic and electromechanical switching elements at 24 VDC.

Technical data

Number of inputs	16 electrically connected, source or sink operation
Input voltage	24 VDC (15 ... 30 VDC) smoothed or pulsed
Input current	4 mA per input at 24 VDC
Input delay	typically 8 ms
Resistance to interference: acc. to IEC1000-4-4	2 kV under capacitive coupling (whole trunk group)
Internal current consumption: (from +5 V bus)	1 ... 10 mA typically 8 mA
Internal current consumption: (from V+ bus)	0 mA
External current consumption	max. 64 mA (all inputs=1) at 24 VDC
Terminals	34-pole ribbon cable connector



Watchdog: This module can interact with the watchdog.

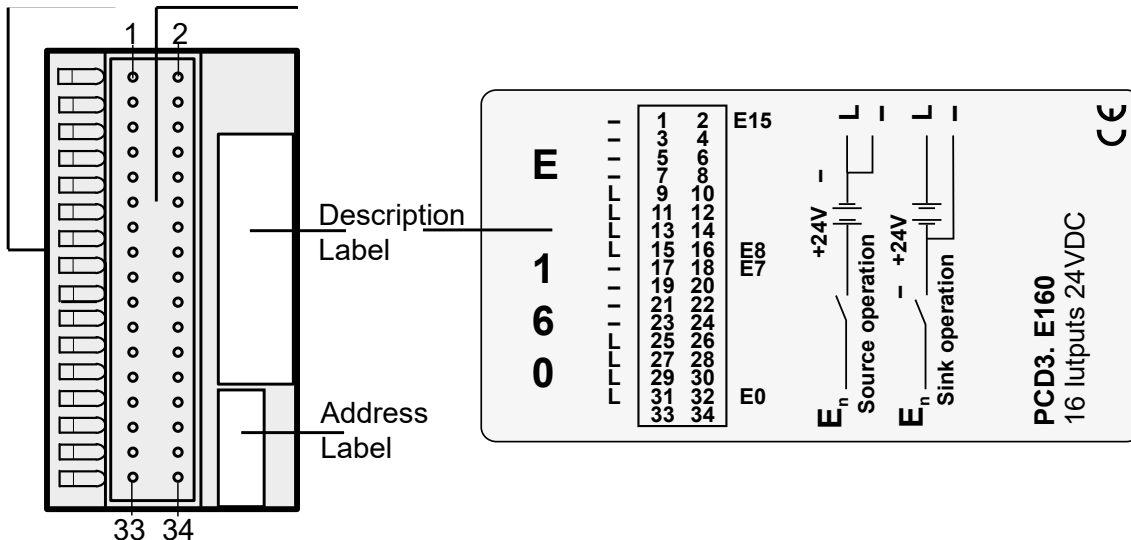
For details, please refer to the "Watchdog" section of the manual 27-600_ENG, which describes the correct use of the watchdog in conjunction with Saia PCD components.



I/O modules and I/O terminal blocks may only be plugged in and removed when the Saia PCD® and the external +24 V are disconnected from the power supply.

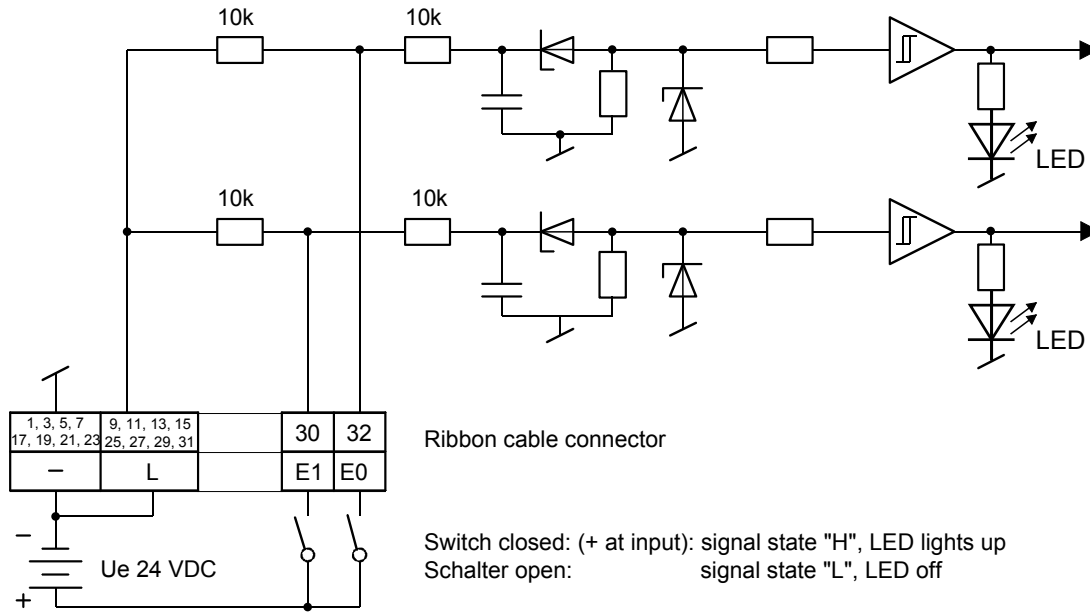
LEDs and connection terminals

LED 0...15 Terminals

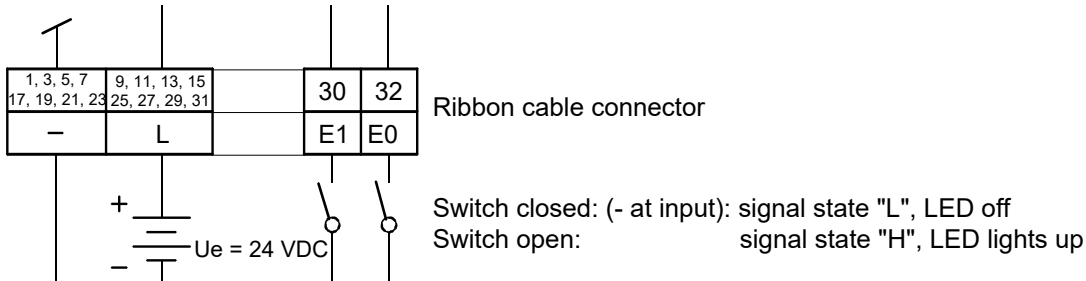


Output circuits and terminal designation

Source operation (positive logic):



Sink operation (negative logic):



Further information can be found in the Manual on "I/O-modules for PCD1 / PCD2 series and for PCD3 series PCD2 and PCD3" 27-600_ENG.

Ordering information

Type	Short description	Description	Weight
PCD3.E160	16 digital inputs, ribbon cable connector	Digital input module, 16 inputs, 24 VDC, source and sink operation, 8 ms input delay, ribbon cable connector for PCD2.K2xx	80 g

Accessories

Type	Short description	Description	Weight
PCD2.K221/K223	Plug-in system cable for digital modules with 16 I/Os. length PCD2.K221 = 1,5 m length PCD2.K223 = 3 m	Sheathed, round cable, (type D); PCD side: 34-pole ribbon cable connector Process side: strand ends free, colour-coded	230 / 330 g
PCD2.K231/K232	Plug-in system cable for terminal adapters PCD2.K520/..K521/..K525. length PCD2.K231 = 1 m length PCD2.K232 = 2 m	Sheathed, half-round cable, (type D); PCD side: 34-pole ribbon cable connector Process side: 34-pole ribbon cable connector	140 / 220 g
PCD2.K241/K242	Plug-in system cable for 2 terminal adapters PCD2.K51x or relay interface PCD2.K55x. length PCD2.K241 = 1 m length PCD2.K242 = 2 m	Sheathed, half-round cable, (type D); PCD side: 34-pole ribbon cable connector Process side: two 16-pole ribbon cable connectors	120 / 200 g

Saia-Burgess Controls AG

Bahnhofstrasse 18 | 3280 Murten, Switzerland
T +41 26 580 30 00 | F +41 26 580 34 99
www.saia-pcd.com

support@saia-pcd.com | www.sbc-support.com