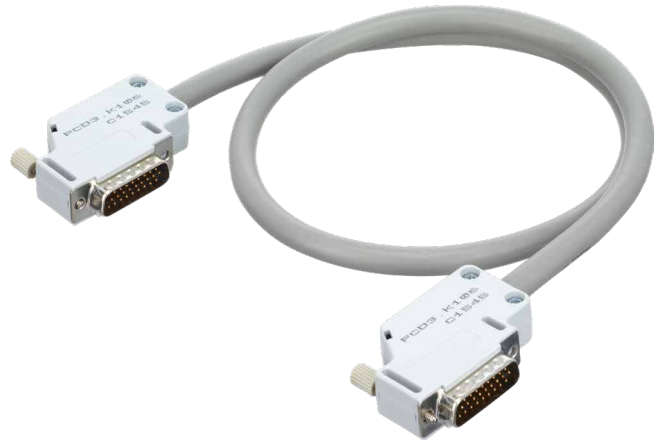


# PCD3.K116

**Extension cable (length 1,2 m) for PCD2.M4560 to PCD2.Cx000, PCD3.M/T/C to PCD3.Cxx0 or PCD2.C1000/..C2000 to PCD2.C1000/..C2000**

Up to 15 PCD3.Cxxx module holders can be attached with connection plugs PCD3.K010 and/or cable PCD3.K106 or PCD3.K116 on the PCD3.Mxxx0, (PCD3.M3020/M3060/ M3120/M3160 cannot be expanded).

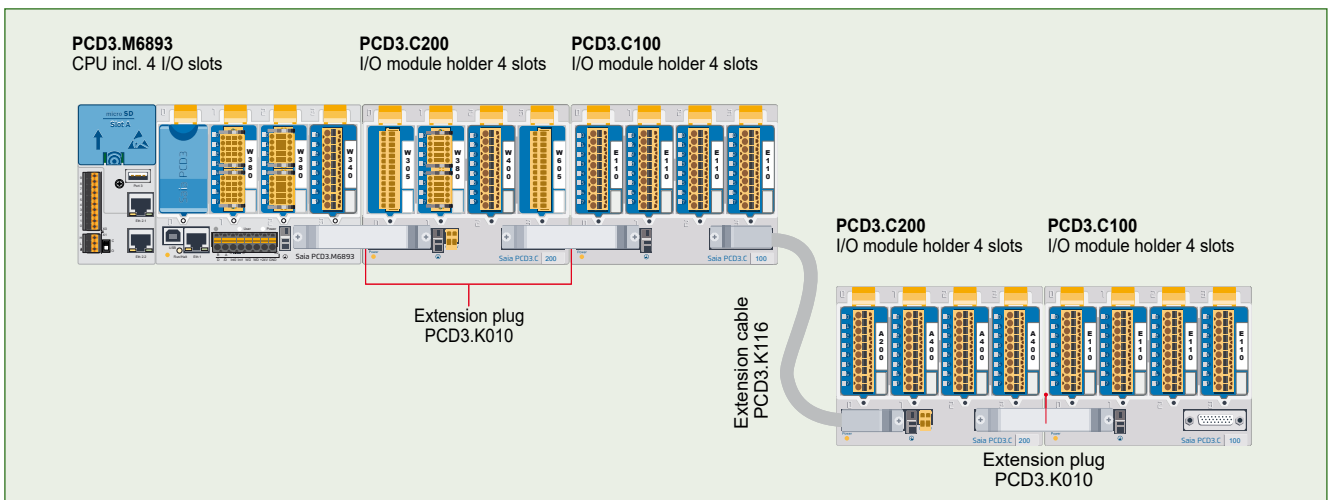
This allows the user to attach a maximum of 64 I/O modules, or 1,023 digital inputs/outputs.



**PCD3.K116**

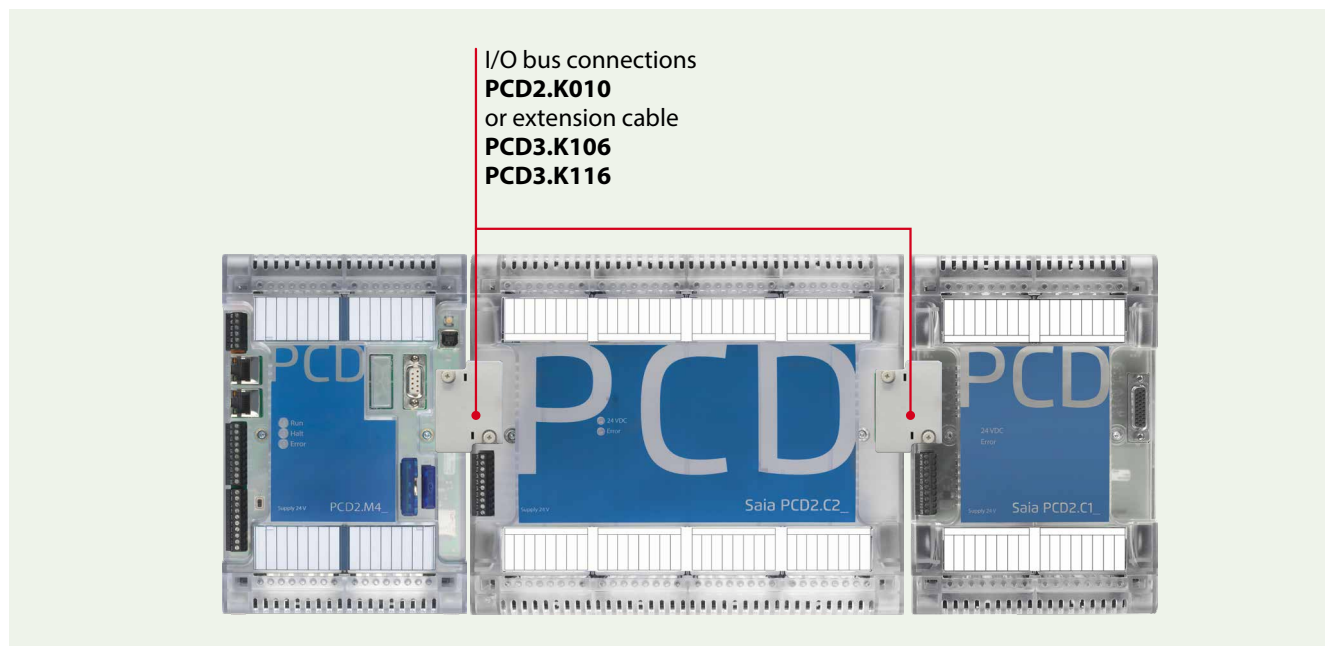
## System expansion up to 1,023 I/O with PCD3

Single- and multiple-row mounting of the module holders



## System expansion up to 1,023 I/O with PCD2

Single- and multiple-row mounting of the module holders



PCD3.K116

### Order details

Type	Short description	Description	Weight
PCD3.K116	Extension cable 1,2 m	Connection cable (length 1,2 m) for PCD3.M/T/C to PCD3.Cxx0 and PCD3.M2xxx to PCD3.Cxx0Z09	180 g

**ATTENTION**

These devices must only be installed by a professional electrician, otherwise there is the risk of fire or the risk of an electric shock.

**WARNING**

Product is not intended to be used in safety critical applications, using it in safety critical applications is unsafe.

**WARNING - Safety**

The unit is not suitable for the explosion-proof areas and the areas of use excluded in EN61010 Part 1.

**WARNING - Safety**

Check compliance with nominal voltage before commissioning the device (see type label).  
Check that connection cables are free from damage and that, when wiring up the device, they are not connected to voltage.  
Do not use a damaged device!

**NOTE**

In order to avoid moisture in the device due to condensate build-up, acclimatise the device at room temperature for about half an hour before connecting.

**CLEANING**

The device can be cleaned in dead state with a dry cloth or cloth soaked in soap solution.  
Do not use caustic or solvent-containing substances for cleaning.

**MAINTENANCE**

These devices are maintenance-free.  
If damaged, no repairs should be undertaken by the user.

**GUARANTEE**

Opening the module invalidates the guarantee.

Observe this instructions (data sheet) and keep them in a safe place.  
Pass on the instructions (data sheet) to any future user.



WEEE Directive 2012/19/EC Waste Electrical and Electronic Equipment directive  
The product should not be disposed of with other household waste. Check for the nearest authorized collection centers or authorized recyclers. The correct disposal of end-of-life equipment will help prevent potential negative consequences for the environment and human health.



EAC Mark of Conformity for Machinery Exports to Russia, Kazakhstan or Belarus.

Saia-Burgess Controls AG  
Bahnhofstrasse 18 | 3280 Murten, Switzerland  
T +41 26 580 30 00 | F +41 26 580 34 99  
[www.saia-pcd.com](http://www.saia-pcd.com)  
[support@saia-pcd.com](mailto:support@saia-pcd.com) | [www.sbc-support.com](http://www.sbc-support.com)

**Honeywell** | Partner Channel