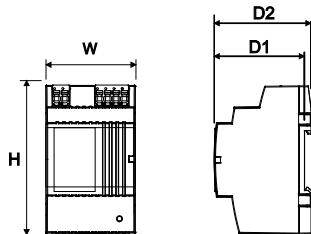


GER Montageanweisung
 FRA Instructions d'installation
 ITA Istruzioni di montaggio
 DUT Installatievoorschrift
 DAN Installasjonsinstruktus
 NOR Installasjonsinstruktioner
 FIN Asennusohje
 SWE Installation instruktioner
 SPA Instrucciones de montaje

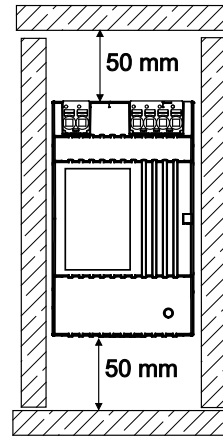
Q.PS-PEL-240x

24 VDC Power Supply Unit

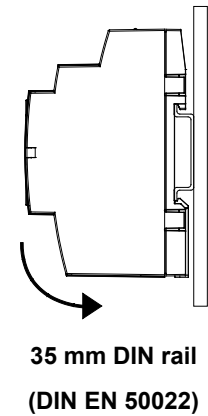
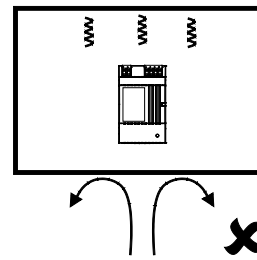
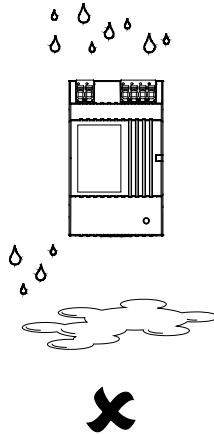
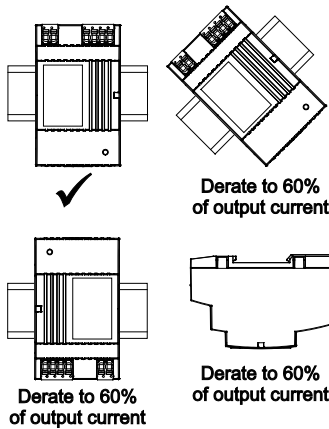
INSTALLATION INSTRUCTIONS



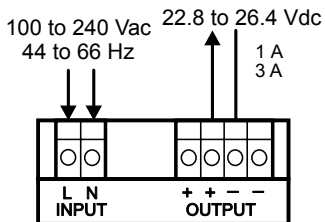
Model	Q.PS-PEL-2401	Q.PS-PEL-2403
W	54 mm	90 mm
H	89 mm	89 mm
D1	54 mm	54 mm
D2	59 mm	59 mm



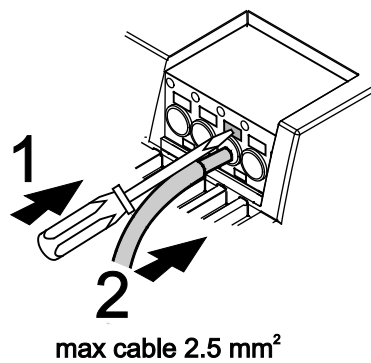
-25 to +55°C
 30 to 85 %RH
 non-condensing
 Protection: IP20



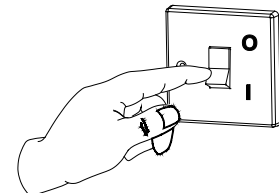
A1



A2

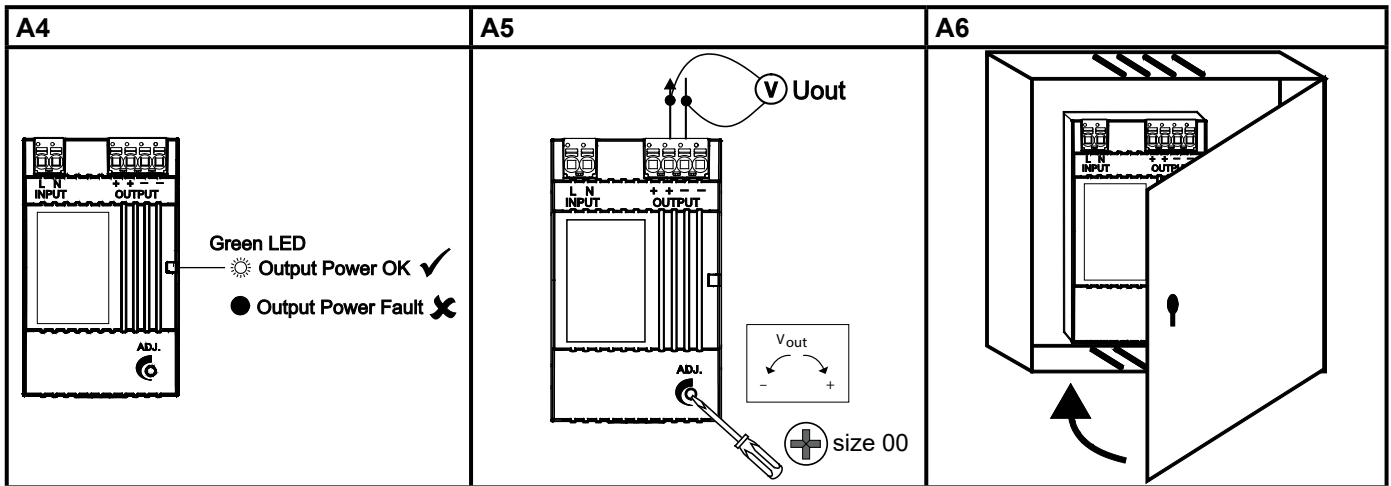


A3



TR CU Certification

UL Notes: Use Copper Conductors Only, rated 60°C or 60/75°C
 Output disconnecting means shall be provided during installation



INSTALLATION

Safety measures before installation.

This equipment is to be protected against improper use. Components are not to be bent or isolation spacing changed, especially through handling and transport.

The contact with electrical components and terminals is to be avoided. Always disconnect the equipment from the mains supply, before commencing installation or wiring. The product description, technical information in the data sheet and the marking on the equipment ratings plate are to be observed.

Installation

Installation must be carried out according to the prevailing local conditions and safety regulations (e.g. VDE 0100) national accident prevention regulations (e.g. UVV-VBG4 or BGV A3) and the generally accepted rules of technology. This equipment is a component designed for installation into a Pollution Degree 2 environment of electrical systems and machines, and fulfils the requirements of the low voltage guidelines (2014/35/EU).

The required minimum spacing to neighbouring components must be observed to guarantee the required cooling. When installed into machinery, normal operation is forbidden until it is determined that the machine fulfils the requirements of the machinery guidelines (2006/42/EG). EN 60204 must be observed. The EMC requirements (2014/30/EU) must be fulfilled before operation is commenced. The observance of the required limitations for the EMC legislation is the responsibility of the installer.

PARALLEL CONNECTION

If units have their outputs connected in parallel, their output voltages must be adjusted to the same value (± 100 mV).

Impedances from the units to the star point must be equal

Note that leakage current, EMI, inrush current and harmonics can increase using multiple power supplies

DISPOSAL

