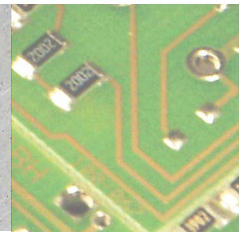


# PCD3.A210

**Digital output module,  
4 relays, 250 VAC/2 A, 'break' contact, contact protection**



The module contains 4 relays with normally-closed contacts for direct or alternating current up to 2 A, 250 VAC. The contacts are protected by a varistor. The module is especially suited wherever perfectly isolated AC switching circuits with infrequent switching have to be controlled..

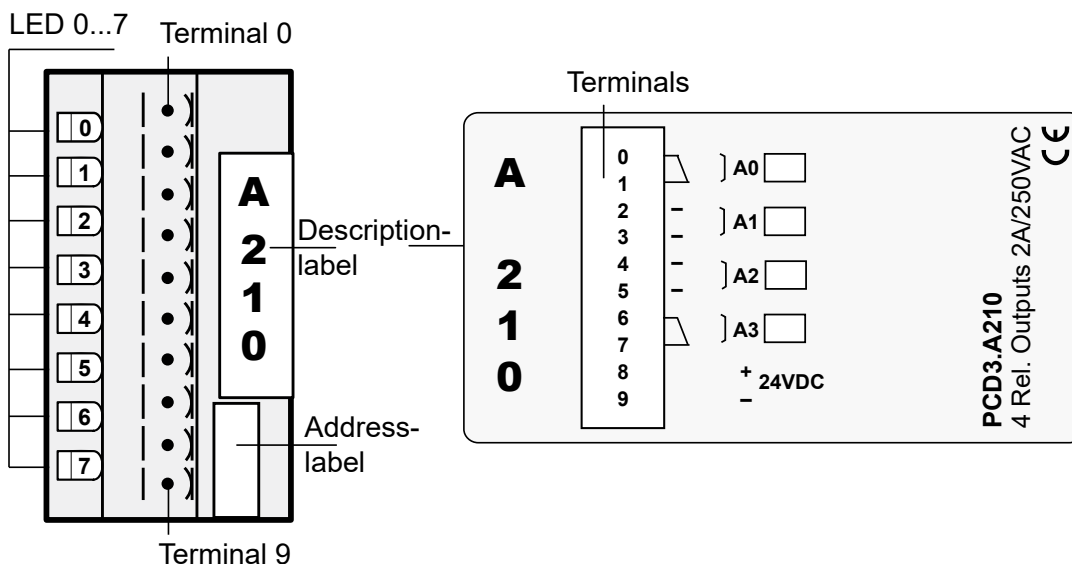


**PCD3.A210**

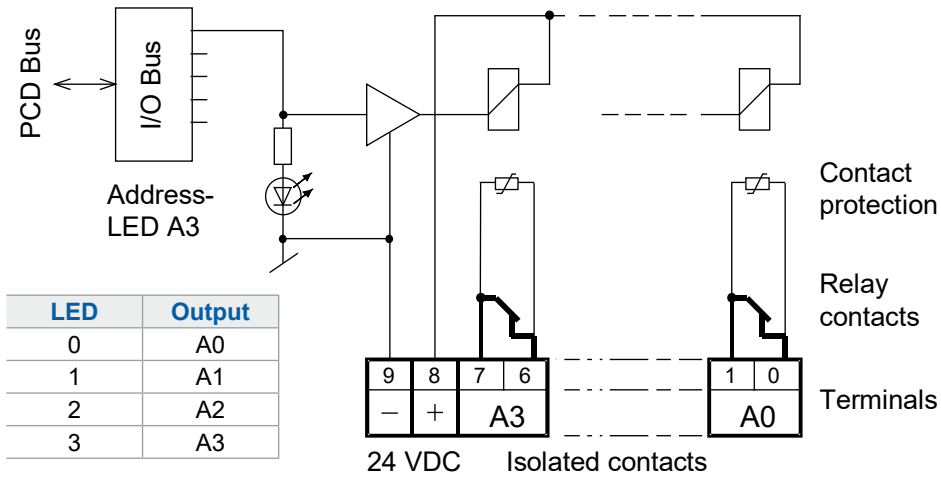
Technical data	
Number of outputs	4, electrically isolated break contacts
Type of relay (typical)	RE 030024, SCHRACK
Switching capacity (contact lifetime)	2 A, 250 VAC AC1: 0.7 × 10 <sup>6</sup> operations 1 A, 250 VAC AC11: 1.0 × 10 <sup>6</sup> operations <sup>3)</sup> 2 A, 50 VDC DC1: 0.3 × 10 <sup>6</sup> operations <sup>3)</sup> 1 A, 24 VDC DC11: 0.1 × 10 <sup>6</sup> operations <sup>1)</sup>
Relay coil supply <sup>2)</sup>	nominal 24 VDC smoothed or pulsed, 9 mA per relay coil
Voltage tolerance, dependent on ambient temperature	20 °C: 17.0 ... 35 VDC 30 °C: 19.5 ... 35 VDC 40 °C: 20.5 ... 32 VDC 50 °C: 21.5 ... 30 VDC
Output delay	typically 5 ms bei 24 VDC
Resistance to interference acc. to IEC 801-4	4 kV under direct coupling 2 kV under capacitive coupling (whole trunk group)
Internal current consumption (from +5 V bus)	1 ... 15 mA typically 10 mA
Internal current consumption (from V+ bus)	0 mA
External current consumption	max. 32 mA
Terminals	Type A: Plug-in 10-pole spring terminal block (4 405 4954 0), for wires up to 2.5 mm <sup>2</sup>

1) With external protective diode  
2) With reverse voltage protection  
3) For UL 61010 compliant operation the following switching capacity applies:  
2 A/35 VDC

### LEDs and connection terminals





**Output circuits and terminal designation**



Relay energized (contact closed): LED on  
 Relay reset (contact open): LED off  
 24 VDC must be connected to the +/- terminals.

With an open relay contact, the current leakage through the contact protection is **0.7 mA** (at 230 V / 50 Hz). This should be taken into account for smaller AC loads.

	<b>Watchdog:</b> This module can be used on all base addresses; there is no interaction with the watchdog on the CPUs.
	I/O modules and I/O terminal blocks may only be plugged in and removed when the Control Edge PCD and the external +24 V are disconnected from the power supply.



PCD3.A210



4 405 4954 0

**Order details**

Type	Short description	Description	Weight
PCD3.A210	4 relays with break contacts, with contact protection	Digital output module, 4 relays, 250 VAC/2 A, 'break' contact, contact protection	120 g

**Order details accessories**

Type	Short description	Description	Weight
4 405 4954 0	Plug-in, type A	Plug-in screw terminal block, 10-pin (type A) for wires up to 2.5 mm <sup>2</sup> , labelling 0...9	15 g

**ATTENTION**

These devices must only be installed by a professional electrician, otherwise there is the risk of fire or the risk of an electric shock.

**WARNING**

Product is not intended to be used in safety critical applications, using it in safety critical applications is unsafe.

**WARNING - Safety**

The unit is not suitable for the explosion-proof areas and the areas of use excluded in EN61010 Part 1.

**WARNING - Safety**

Check compliance with nominal voltage before commissioning the device (see type label).  
Check that connection cables are free from damage and that, when wiring up the device, they are not connected to voltage.  
Do not use a damaged device!

**NOTE**

In order to avoid moisture in the device due to condensate build-up, acclimatise the device at room temperature for about half an hour before connecting.

**CLEANING**

The device can be cleaned in dead state with a dry cloth or cloth soaked in soap solution.  
Do not use caustic or solvent-containing substances for cleaning.

**MAINTENANCE**

These devices are maintenance-free. If damaged, no repairs should be undertaken by the user.

**GUARANTEE**

Opening the module invalidates the guarantee.

Observe this instructions (data sheet) and keep them in a safe place.  
Pass on the instructions (data sheet) to any future user.



WEEE Directive 2012/19/EC Waste Electrical and Electronic Equipment directive  
The product should not be disposed of with other household waste. Check for the nearest authorized collection centers or authorized recyclers. The correct disposal of end-of-life equipment will help prevent potential negative consequences for the environment and human health.



EAC Mark of Conformity for Machinery Exports to Russia, Kazakhstan or Belarus.

## Sales and Service

For application assistance, current specifications, pricing, or name of the nearest Authorized Distributor, contact one of the offices below.

### ASIA PACIFIC

Honeywell Process Solutions,  
(TAC) [hfs-tac-support@honeywell.com](mailto:hfs-tac-support@honeywell.com)

#### Australia

Honeywell Limited  
Phone: +(61) 7-3846 1255  
FAX: +(61) 7-3840 6481  
Toll Free 1300-36-39-36  
Toll Free Fax:  
1300-36-04-70

#### China – PRC - Shanghai

Honeywell China Inc.  
Phone: (86-21) 5257-4568  
Fax: (86-21) 6237-2826

#### Singapore

Honeywell Pte Ltd.  
Phone: +(65) 6580 3278  
Fax: +(65) 6445-3033

#### South Korea

Honeywell Korea Co Ltd  
Phone: +(822) 799 6114  
Fax: +(822) 792 9015

### EMEA

Honeywell Process Solutions,  
Phone: +80012026455 or  
+44 (0)1344 656000

Email: (Sales)  
[FP-Sales-Apps@Honeywell.com](mailto:FP-Sales-Apps@Honeywell.com)  
or  
(TAC) [hfs-tac-support@honeywell.com](mailto:hfs-tac-support@honeywell.com)

### AMERICA'S

Honeywell Process Solutions,  
Phone: (TAC) 1-800-423-9883 or  
215/641-3610  
(Sales) 1-800-343-0228

Email: (Sales)  
[FP-Sales-Apps@Honeywell.com](mailto:FP-Sales-Apps@Honeywell.com)  
or  
(TAC) [hfs-tac-support@honeywell.com](mailto:hfs-tac-support@honeywell.com)

## WARRANTY/REMEDY

Honeywell warrants goods of its manufacture as being free of defective materials and faulty workmanship. Contact your local sales office for warranty information. If warranted goods are returned to Honeywell during the period of coverage, Honeywell will repair or replace without charge those items it finds defective. The foregoing is Buyer's sole remedy and is **in lieu of all other warranties, expressed or implied, including those of merchantability and fitness for a particular purpose.** Specifications may change without notice. The information we supply is believed to be accurate and reliable as of this printing. However, we assume no responsibility for its use.

While we provide application assistance personally, through our literature and the Honeywell web site, it is up to the customer to determine the suitability of the product in the application.

*Specifications are subject to change without notice.*

---

## For more information

Learn more about ControlEdge PCD, visit our website [www.honeywellprocess.com/ControlEdgePCD](http://www.honeywellprocess.com/ControlEdgePCD) or contact your Honeywell account manager.

## Honeywell Process Solutions

2101 CityWest Blvd, Houston TX 77042  
Honeywell House, Skimped Hill Lane

Bracknell, Berkshire, England RG12 1EB UK ©2020 Honeywell International Inc.  
Building #1, 555 Huanke Road,

Zhangjiang Hi-Tech Industrial Park,  
Pudong New Area, Shanghai 201203

Document No.: 51-52-03-56  
Rev.6.0  
August 2020

