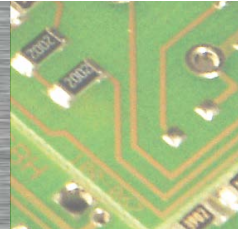


PCD3.E500

**6 digital inputs, electrically isolated,
230 VAC, 10/20 ms, source-operation**



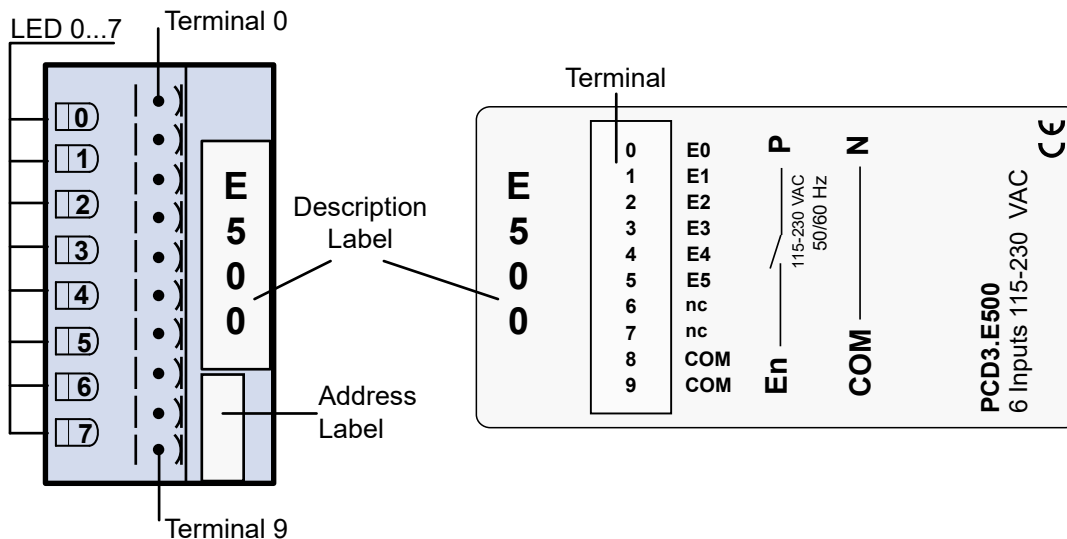
Module with 6 electrically isolated inputs for alternating current. The inputs are set up for source operation and have one common "COM" terminal. Only the positive half-wave of the alternating current is used.

Technical data	
Number of inputs	6 electrically isolated from the CPU, source operation, all inputs to the module in the same phase
Input voltage	115/230 VAC 50/60 Hz, sinusoidal (80 ... 250 VAC)
Input current	115 VAC: 5 ... 6 mA (wattless current) 230 VAC: 10 ... 12 mA (wattless current)
Input delay switch-on switch-off	typical 10 ms; max. 20 ms typical 20 ms; max. 30 ms
LED	supplied directly from input current
Resistance to interference acc. to IEC 801-4	4 kV under direct coupling 2 kV under capacitive coupling (whole trunk group)
Electrical isolation voltage	2000 VAC, 1 min
Electrical isolation resistance	100 MΩ/500 VDC
Optocoupler isolation voltage	2.5 kV
Internal current consumption (from +5 V bus)	< 1 mA
Internal current consumption (from V+ bus)	0 mA
External current consumption	0 mA
Terminals	Plug-in I/O spring terminal block, 10-pole up to 2.5 mm ² , labelled 0 to 9, connector type A



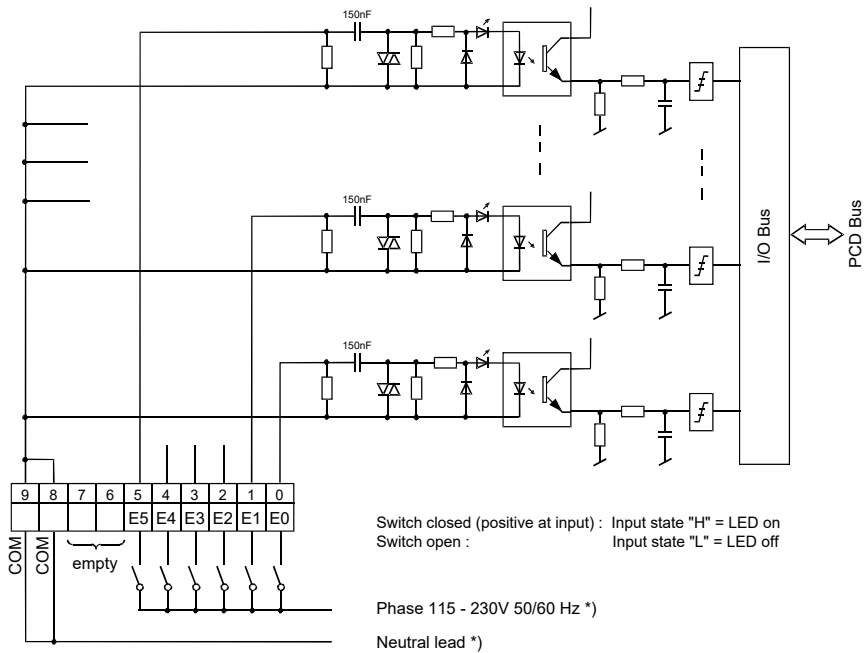
PCD3.E500

LEDs and connection terminals



Input circuits and terminal designation

Source operation (positive logic):

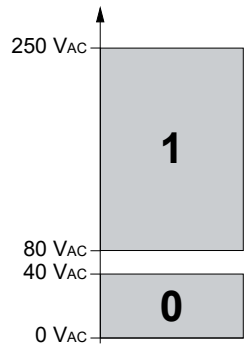


Switch closed (positive at input) : Input state "H" = LED on
 Switch open : Input state "L" = LED off

Phase 115 - 230V 50/60 Hz *)
 Neutral lead *)

*) Could be changed, if allowed

Input level



The PCD3.E500 module is certified according to UL 508.
 Operation in accordance with UL61010 is not possible.



I/O modules and I/O terminals may only be plugged in or out when the HPCD3 is not powered on.
 The external module power supply must also be switched off.

Installation instructions

For reasons of safety it is not permissible to connect low voltages (up to 50 V) and higher voltages (50 ... 250 V) to the same module.

If a module is connected to a higher voltage (50 ... 250 V), approved components for this voltage must be used for all elements that are electrically connected to the system.

Using higher voltage (50 ... 250 V), all connections to the relay contacts must be connected on the same circuit, i.e. in such a way that they are all protected against one AC phase by one common fuse. Each load circuit may however be fused individually.



PCD3.E500



4 405 4954 0

Order details

Type	Short description	Description	Weight
PCD3.E500	6 digital inputs 110 ... 240 VAC, 20 ms	Digital input module, 6 inputs 110 ... 240 VAC, source operation, with galvanic isolation, 20 ms input delay, connection with pluggable spring terminals, plug-in type A, (4 405 4954 0) included	100 g

Order details accessories

Type	Short description	Description	Weight
4 405 4954 0	Plug-in, type A	Plug-in I/O spring terminal block, 10-pole up to 2.5 mm ² , labelled 0 to 9, connector type A	15 g

**ATTENTION**

These devices must only be installed by a professional electrician, otherwise there is the risk of fire or the risk of an electric shock.

**WARNING**

Product is not intended to be used in safety critical applications, using it in safety critical applications is unsafe.

**WARNING - Safety**

The unit is not suitable for the explosion-proof areas and the areas of use excluded in EN61010 Part 1.

**WARNING - Safety**

Check compliance with nominal voltage before commissioning the device (see type label).
Check that connection cables are free from damage and that, when wiring up the device, they are not connected to voltage.
Do not use a damaged device!

**NOTE**

In order to avoid moisture in the device due to condensate build-up, acclimatise the device at room temperature for about half an hour before connecting.

**CLEANING**

The device can be cleaned in dead state with a dry cloth or cloth soaked in soap solution.
Do not use caustic or solvent-containing substances for cleaning.

**MAINTENANCE**

These devices are maintenance-free. If damaged, no repairs should be undertaken by the user.

**GUARANTEE**

Opening the module invalidates the guarantee.

Observe this instructions (data sheet) and keep them in a safe place.
Pass on the instructions (data sheet) to any future user.



WEEE Directive 2012/19/EC Waste Electrical and Electronic Equipment directive
The product should not be disposed of with other household waste. Check for the nearest authorized collection centers or authorized recyclers. The correct disposal of end-of-life equipment will help prevent potential negative consequences for the environment and human health.



EAC Mark of Conformity for Machinery Exports to Russia, Kazakhstan or Belarus.

Sales and Service

For application assistance, current specifications, pricing, or name of the nearest Authorized Distributor, contact one of the offices below.

ASIA PACIFIC

Honeywell Process Solutions,
(TAC) hfs-tac-support@honeywell.com

Australia

Honeywell Limited
Phone: +(61) 7-3846 1255
FAX: +(61) 7-3840 6481
Toll Free 1300-36-39-36
Toll Free Fax:
1300-36-04-70

China – PRC - Shanghai

Honeywell China Inc.
Phone: (86-21) 5257-4568
Fax: (86-21) 6237-2826

Singapore

Honeywell Pte Ltd.
Phone: +(65) 6580 3278
Fax: +(65) 6445-3033

South Korea

Honeywell Korea Co Ltd
Phone: +(822) 799 6114
Fax: +(822) 792 9015

EMEA

Honeywell Process Solutions,
Phone: +80012026455 or
+44 (0)1344 656000

Email: (Sales)
FP-Sales-Apps@Honeywell.com
or
(TAC) hfs-tac-support@honeywell.com

AMERICA'S

Honeywell Process Solutions,
Phone: (TAC) 1-800-423-9883 or
215/641-3610
(Sales) 1-800-343-0228

Email: (Sales)
FP-Sales-Apps@Honeywell.com
or
(TAC) hfs-tac-support@honeywell.com

WARRANTY/REMEDY

Honeywell warrants goods of its manufacture as being free of defective materials and faulty workmanship. Contact your local sales office for warranty information. If warranted goods are returned to Honeywell during the period of coverage, Honeywell will repair or replace without charge those items it finds defective. The foregoing is Buyer's sole remedy and is **in lieu of all other warranties, expressed or implied, including those of merchantability and fitness for a particular purpose.** Specifications may change without notice. The information we supply is believed to be accurate and reliable as of this printing. However, we assume no responsibility for its use.

While we provide application assistance personally, through our literature and the Honeywell web site, it is up to the customer to determine the suitability of the product in the application.

Specifications are subject to change without notice.

For more information

Learn more about ControlEdge PCD, visit our website www.honeywellprocess.com/ControlEdgePCD or contact your Honeywell account manager.

Honeywell Process Solutions

2101 CityWest Blvd, Houston TX 77042
Honeywell House, Skimped Hill Lane

Bracknell, Berkshire, England RG12 1EB UK ©2020 Honeywell International Inc.
Building #1, 555 Huanke Road,

Zhangjiang Hi-Tech Industrial Park,
Pudong New Area, Shanghai 201203

Document No.: 51-52-03-69
Rev. 4.1
November 2020

