

PCD7.D543RF

4.3" TFT – ARM Cortex A8 – 1 GHz

- ▶ 4.3" TFT color display
LED backlight
- ▶ 480 × 272 pixel (WVGA) resolution
64K colors
- ▶ Resistive touchscreen
- ▶ Ethernet port
- ▶ USB port



Advantages

- ▶ High Cyber Security Level.
Protection from unauthorized accesses
- ▶ Modern HTML5 Browser based on Linux
- ▶ Controllers, HMI and tools are harmonized and tested together
- ▶ HTML5 Chromium Browser to access PCD Web-Server or any other WebServer
- ▶ Compatible with HTML5 Web-Editor Projects

Applications

- ▶ Building automation
- ▶ Infrastructure automation
- ▶ OEM

Highlights

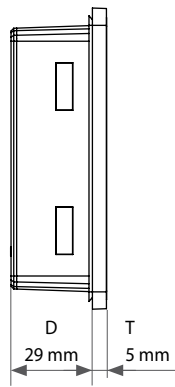
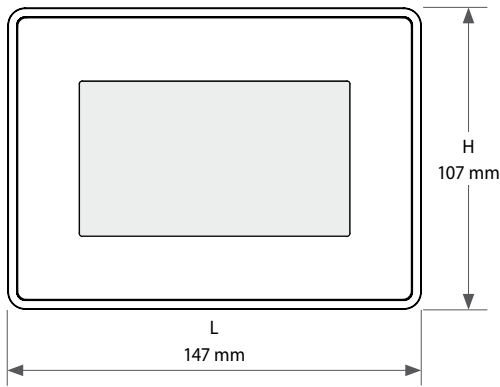
They have been designed to offer an outstanding price/performance ratio for challenging applications. They are the ideal choice for HMI applications including factory and building automation. PCD7.D543RF features a bright 4.3" TFT widescreen (16:9) display with a fully dimmable LED backlight.

It is an effective platform for running browser applications in the industrial environment. The powerful CPU and the efficient Linux with realtime extensions guarantee and optimal performance under the most demanding conditions.

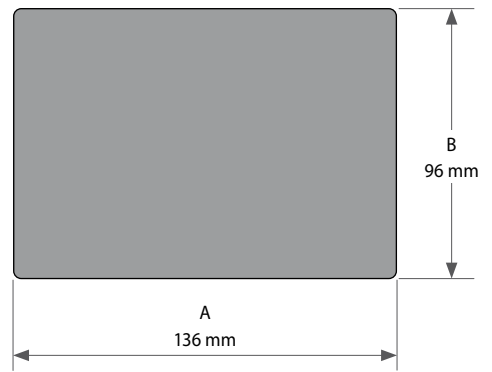
Technical Data

System Resources	
Display - Colors	4.3" TFT 16:9 - 64K
Resolution	480 × 272
Brightness	200 Cd/m ² typ.
Dimming	Yes
Touchscreen	Resistive
CPU	ARM Cortex-A8 - 1 GHz
Operating System	Linux
RAM	512 MB
Flash	4 GB
Real Time Clock, RTC Back-up, Buzzer	Yes, Yes, Yes
Interface	
Ethernet port	1 (port 0 - 10/100)
USB port	1 (Host v. 2.0, max. 500 mA)
Serial port	Not supported
SD card	No
Expansion	No
Ratings	
Power supply	24 Vdc (10 to 32 Vdc)
Current Consumption	0.25 A max. at 24 Vdc
Input Protection	Automatic
Battery	Yes (With Supercapacitor)
Environment Conditions	
Operating Temp	0 °C ... +50 °C (vertical installation)
Storage Temp	-20 °C ... +70 °C
Operating / Storage Humidity	5 ... 85% RH, non condensing
Protection Class	IP66 (front), IP20 (rear)
Dimensions and Weights	
Faceplate L × H	147 × 107 mm (5.78 × 4.21")
Cutout A × B	136 × 96 mm (5.35 × 3.78")
Depth D + T	29 + 5 mm (1.14 + 0.19")
Weight	Approx 0.4 Kg
Approvals	
CE	Emission EN 61000-6-4, Immunity EN 61000-6-2 for installation in industrial environments. Emission EN 61000-6-3, Immunity EN 61000-6-1 for installation in residential environments
UL	ANSI/UL 508

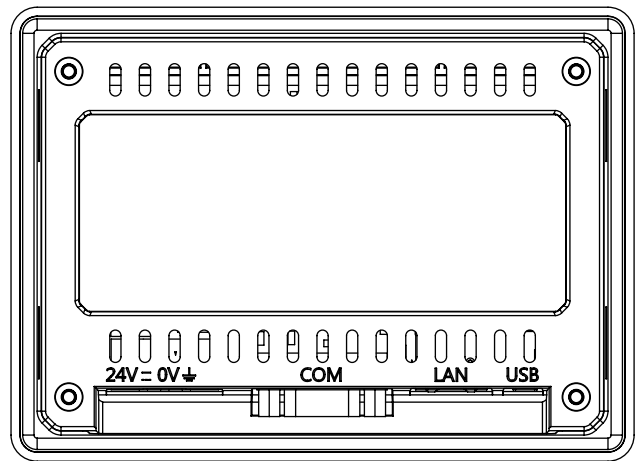
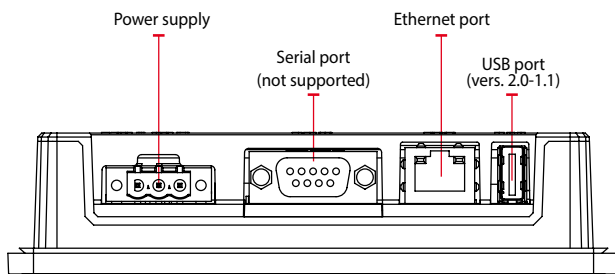
Dimensions



Cut-out



Connections



Ordering information

Part Number	Type	Description
PCD7.D543RF	4.3" HTML5 Web Panel, resistive touch	4.3" HTML5 Web Panel, TFT color, 480 × 272 pixel, resistive touch screen, 1 Ethernet port, 1 USB host port