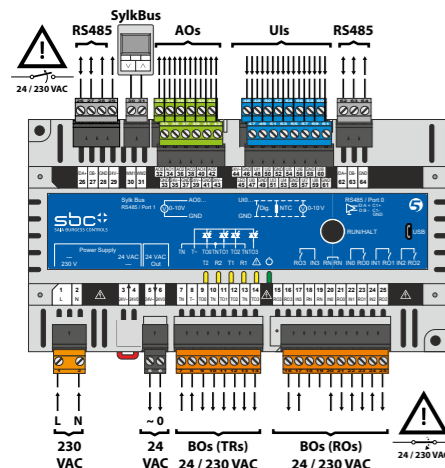
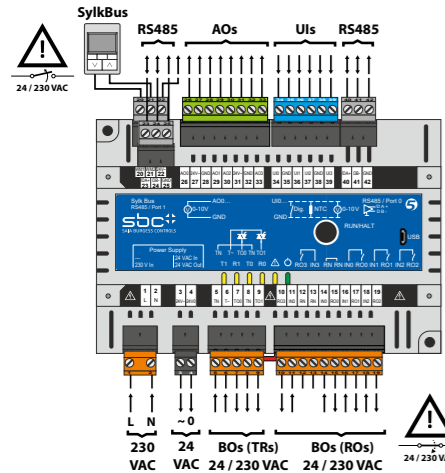


4A. PCD7.LRL2-P5 / PCD7.LRL4-P5 WIRING (230-V MODELS)



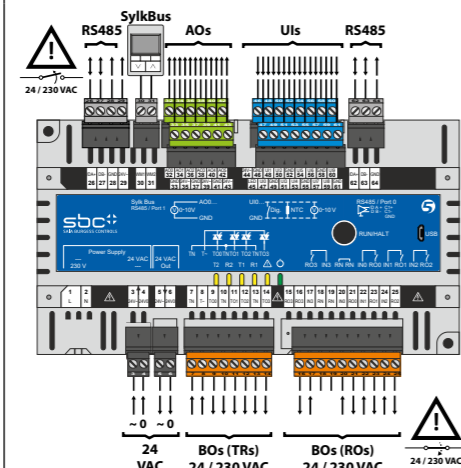
CAUTION
RISK OF EQUIPMENT DAMAGE [AND/OR PERSONAL INJURY]!
DO NOT USE TERMINALS 3+4 OF 230-V MODELS (24VAC POWER OUTPUT FOR AUXILIARY DEVICES) AS A POWER INPUT!

4C. PCD7.LRS4-P5 WIRING (230-V MODELS)



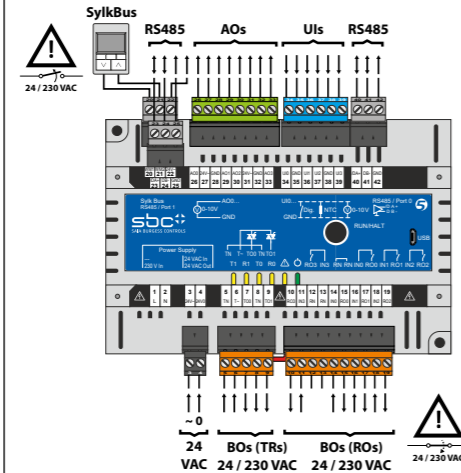
CAUTION
RISK OF EQUIPMENT DAMAGE [AND/OR PERSONAL INJURY]!
DO NOT USE TERMINALS 3+4 OF 230-V MODELS (24VAC POWER OUTPUT FOR AUXILIARY DEVICES) AS A POWER INPUT!

4B. PCD7.LRL5-P5 WIRING (24-V MODELS)



On the PCD7.LRL5-P5 the Power Supply pin 3+4 is the 24VAC power input of the controller.

4D. PCD7.LRS5-P5 WIRING (24-V MODELS)



On the PCD7.LRS5-P5 the Power Supply pin 3+4 is the 24VAC power input of the controller.

SPECIFICATIONS OF CONTROLLER

Power supply, power consumption, and current consumption	See PCD7.LRxx-P5 Room Controllers – Installation & Commissioning Instructions (PP31-406)
Ambient temperature	See picture 0G.
Storage temperature	See picture 0B.
Humidity	5 ... 95 % r.h. non-condensing
Dimensions	See pictures 0C, 0E.
Degree of protection	IP20 IP30 (when mounted with accessory IRM-RSC or IRM-RLC)

RECOMMENDATIONS AND RULES

- ▶ Rules regarding electrostatic discharge should be followed.
- ▶ If the device is modified in any way, except by the manufacturer, all warranties concerning operation and safety are invalidated.
- ▶ Make sure that the local standards and regulations are observed at all times. Examples of such regulations are VDE 0800 and VDE 0100 or EN 60204-1 for earth grounding.
- ▶ Use only accessory equipment which comes from or has been approved by Honeywell.
- ▶ It is recommended that the device be kept at room temperature for at least 24 hours before applying power. This is to allow any condensation resulting from low shipping / storage temperatures to evaporate.
- ▶ The device must be installed in a manner (e.g., in a lockable cabinet) ensuring that uncertified persons have no access to the terminals.
- ▶ Do not open the device, as it contains no user-serviceable parts inside!
- ▶ The device is suitable for mounting in fuse boxes conforming to standard DIN 43880, and having a slot height of max. 45 mm.
- ▶ The device is suitable for panel rail mounting on 35 mm standard panel rail (both horizontal and vertical rail mounting possible) – see pictures 0G and 0H.

RELAY SPECIFICATIONS



CAUTION
RISK OF ELECTRICAL SHOCK OR EQUIPMENT DAMAGES!
It is not permitted to combine low voltage and line voltage in the relay block.

STANDARDS, APPROVALS, ETC.

PURPOSE OF CONTROL: OPERATING CONTROL and multifunctional non-safety control intended for HVAC in home (residential, commercial, and light-industrial) environments

- 24 V models:
UL 60730-1, Standard for Automatic Electric Controls for Household and Similar Use, Part 1: General Requirements
- CE-approved
- FCC part 15B-compliant.

CONSTRUCTION OF CONTROL: Independently mounted electronic control unit with fixed wiring. Panel-mounted on a DIN rail.

SHOCK PROTECTION: Class II.

POLLUTION DEGREE: 2.

RATED IMPULSE VOLTAGE:

- 230 V circuits: 2500 V
- 24 V circuits: 500 V

NOTE: Keep AC mains supply/load cables separate from signal wiring!



WEEE Directive 2012/19/EC Waste Electrical and Electronic Equipment directive
At the end of the product life dispose of the packaging and product in a corresponding recycling centre. Do not dispose of the unit with the usual domestic refuse. Do not burn the product !

Manufactured for and on behalf of the Environmental & Energy Solutions Division of Honeywell Technologies Sàrl, Rolle, Z.A. La Pléce 16, Switzerland by its Authorized Representative:

Saia-Burgess Controls AG
Bahnhofstrasse 18
3280 Murten, Switzerland
Phone +41 26 580 30 00
Fax +41 26 580 34 99
www.saia-pcd.com

support@saia-pcd.com | www.sbc-support.com

Subject to change without notice
MU1B-0643GE51 R0418C



Support Documentation

PCD7.LRxx-P5
Saia PG5® programmable
Room Controller

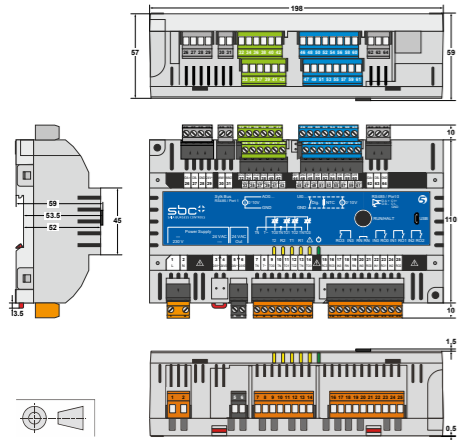
MOUNTING
INSTRUCTIONS

E Keep these instructions together with the device or with the equipment documentation!	F Cette instruction est à conserver avec le contrôleur ou avec la documentation de l'installation !	P Guarde estas instruções junto do regulador ou junto da documentação da instalação!
D Diese Anleitung ist beim Gerät oder in der Anlagendokumentation aufzubewahren!	I Queste istruzioni devono essere conservate insieme al lettore o con la documentazione dell'impianto!	S Denna instruktion skall förvaras tillsammans med regler eller anläggningsdokumentationen!
DK Opbevar denne vejledning sammen med regler eller med anlæggsdokumentationen!	N Denne vejledningen skal opbevares sammen med regler eller anlæggsdokumentationen!	FI Tätä ohjetta tulee säilyttää laitteen läheisyydessä tai yhdessä muiden dokumenttien kanssa!
ES Conserve estas instrucciones con el recalar con la documentación de la instalación.	NL Deze handleiding moet bij de regelaar, of met de documentatie van de installatie worden bewaard!	PL Instrukcję obsługi należy przechowywać przy urządzeniu albo w dokumentacji technicznej.

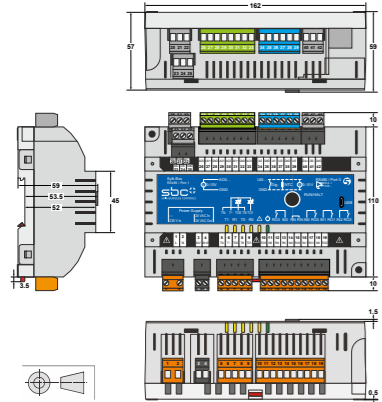
0A. INCL. IN DELIVERY

0B. STORAGE + OPERATION

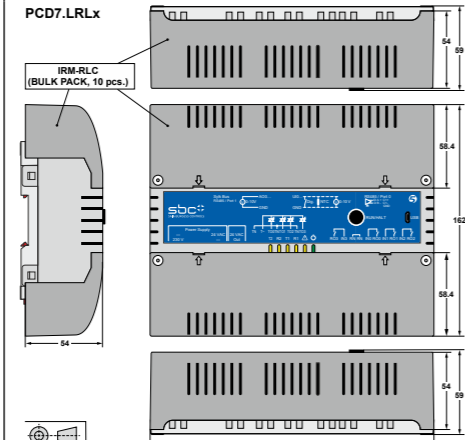
**0C. DIMENSIONS
PCD7.LRLx-P5**



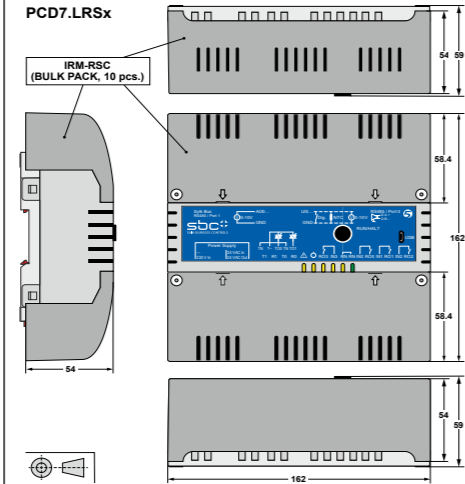
**0E. DIMENSIONS
PCD7.LRSx-P5**



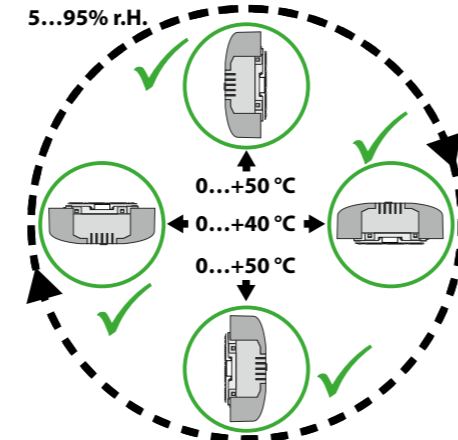
**0D. OPTIONAL, FOR IP30
PCD7.LRLx-P5**



**0F. OPTIONAL, FOR IP30
PCD7.LRSx-P5**



0G. PERMISSIBLE ORIENTATIONS

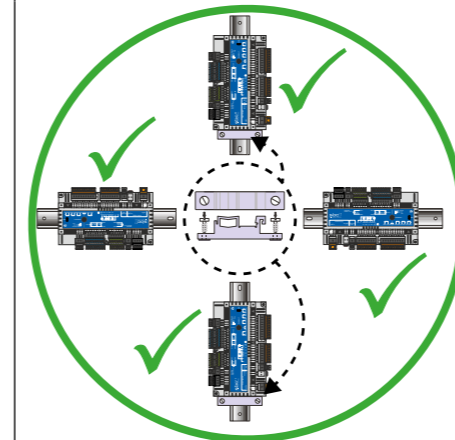


0I. SEE ALSO

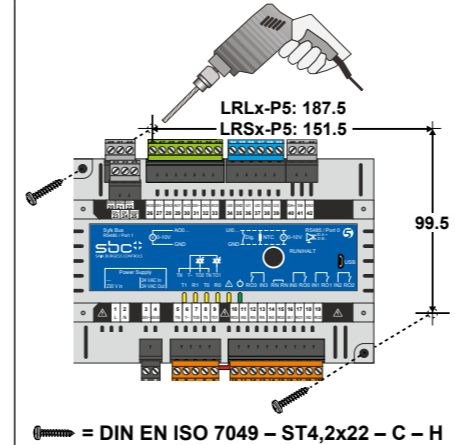


- PCD7.LRxx-P5 PG5 ROOM CONTROLLER ...
- DATA SHEET (PP31-405)
- INSTALLATION & COMM. INSTRUCTIONS (PP31-406)
- USER MANUAL (27-653)

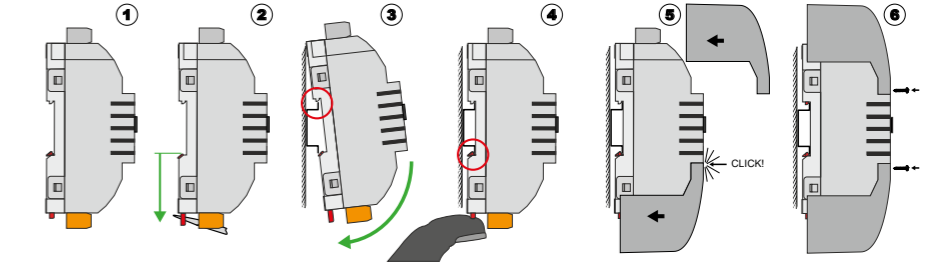
0H. DIN RAIL END STOP



1. WALL MOUNTING



2. DIN-RAIL MOUNTING PCD7.LRxx-P5 + MOUNTING IRM-RxC



3. DISMOUNTING IRM-RxC + DISMOUNTING PCD7.LRxx-P5 from DIN-RAIL

