

Manual

Procedure for device replacement PCD7.L60x with PCD7.L60x-1 room controller

Because of the additional air quality control functionality of room controllers PCD7.L60x-1 (from FW version SV2.11) new configuration register for the controller outputs Y1–Y4 are needed. These Registers can only be configured with the new «HVC configuration» FBox.

This replaces the old configuration «valve drive Hz–Kh» from the old L60x config 2.1 FBox which for the PCD7.L60x room controller was needed (up to firmware version SV2.01).

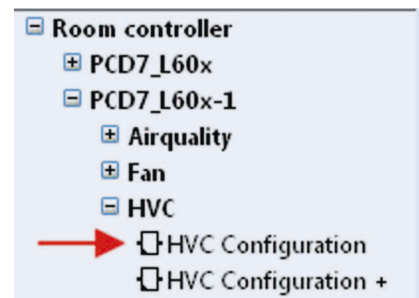
In this description there are illustrated three possibilities how the exchange can be made, whereupon in the first two variants it is possible to do the replacement without making change in the PG5 program on the site.

The exact description for setting of the SBus address and writing of the configuration parameter with the configuration FBox can be found in chapter 3.1 and 3.2 of the manual (26-854_EN_Manual_Modular-Room-controller-PCD7L6xx.pdf)

Pre-configuration of the room controller at the office

A) Using existing old project in PG5

- install the new FBox Library V2.6.446 (or newer) in PG5
- place new L60x HVC configuration FBox in old project, compile project and download on the PCD



- adjusting the SBus address of the controller with L60x setup FBox

- adjusting the outputs Y1 to Y4 with the new L60x HVC configuration FBox (this adjustment replaces the old configuration «valve drive Hz–Kh»)

Configuration Y1	>	PWM heating	<	>
Configuration Y2	>	PWM cooling	<	>
Configuration Y3	>	unused	<	>
Configuration Y4	>	unused	<	>

- configure with the existing 1.2 config L60x FBox the old stored parameters

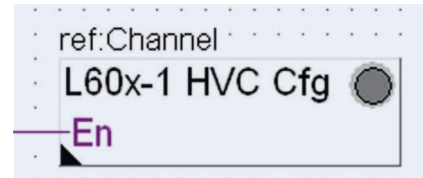
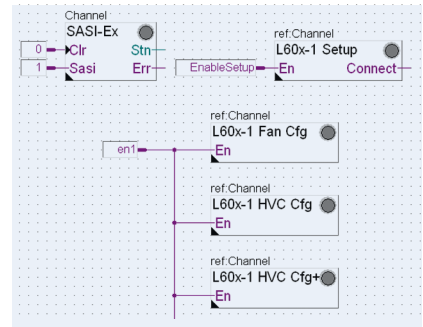


- replace on site the old room controller with the new one



B) With a newly generated configuration program in the PG5.20

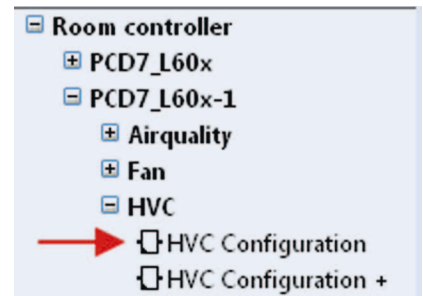
- install the new FBox Library V2.6.446 (or newer) in PG5.20
- create the PG5.20 configuration program with SASI S-Bus master FBox, L60x setup FBox, new L60x HVC configuration FBox and if needed also L60x fan configuration FBox and L60x HVC + configuration FBox
- compile project and download on PCD
- adjusting the SBus address of the controller with L60x setup FBox
- write to the L60x configurations FBoxes the required parameters to the room controller
- replace on site the old room controller with the new one



Configuration of the room controller on the site

C) Using existing old project in PG5

- replace on site the old room controller with the new one
- install the new FBox Library V2.6.446 (or newer) in PG5
- place new L60x HVC configuration FBox in old project, compile project and download on PCD
- adjusting the SBus address of the controller with L60x setup FBox
- adjusting the outputs Y1 to Y4 with the new L60x HVC configuration FBox (replaces the old configuration « valve drive Hz–Kh»)
- configure with the existing 1.2 config L60x FBox the old stored parameters



Configuration Y1	>	PWM heating	<	>
Configuration Y2	>	PWM cooling	<	>
Configuration Y3	>	unused	<	>
Configuration Y4	>	unused	<	>



With A) and B) is an exchange possible without changing the PG5 program on the site

Contact

Switzerland and International
Saia-Burgess Controls AG
 Bahnhofstrasse 18
 CH-3280 Murten / Switzerland
 T +41 (0)26 / 672 72 72
 F +41 (0)26 / 672 74 99
 pcd@saia-burgess.com
 www.saia-pcd.com

Product Support,
 Technical reference website: www.sbc-support.ch