

## 2.6.4 KNX

### Communication drivers for electrical systems and room automation

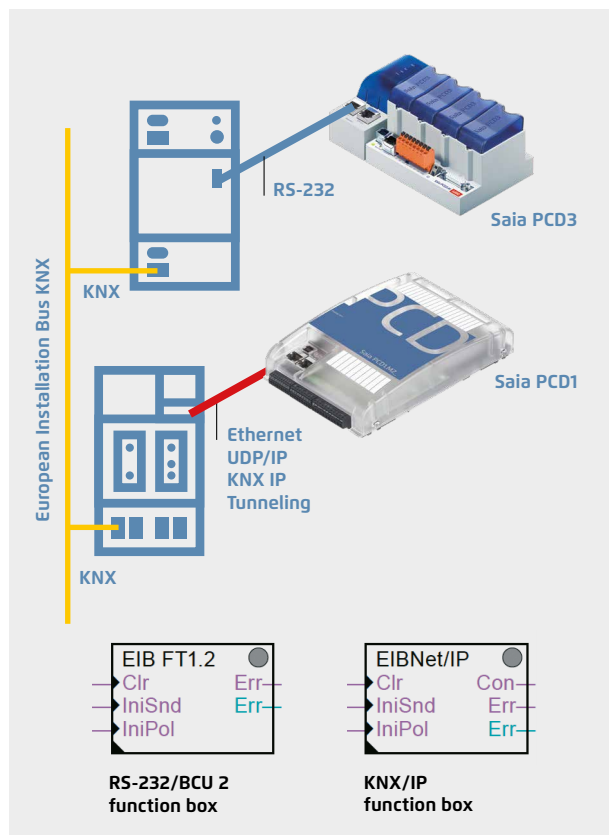
#### Communication drivers

An efficient networking of building services requires multi-service functions and components for communicating with external devices. The KNX communication driver is a PG5 FUPLA library with comprehensive function modules (FBoxes) for sending and receiving almost all KNX data types (DPT). Depending on which interface is available for accessing the KNX network (RS-232 or Ethernet), the selected components can be linked to Saia PCD® systems.

The direct connection via Ethernet makes access to KNX data even quicker and more powerful.

#### Features

- ▶ Use of drivers for all SBC automation stations
- ▶ Simple communication connection with FUPLA modules
- ▶ Comprehensive support of KNX Data Point Types (DPT)
- ▶ The drivers support the simple restructuring of existing systems with KNX BCU1 on the KNX BCU2 interface
- ▶ Standard UDP/IP port: #3671
- ▶ Communication drivers for:
  - ▶ Serial KNX BCU-1 interfaces via RS-232 (not recommended for new products)
  - ▶ Serial KNX BCU-2 interfaces via RS-232
  - ▶ KNXnet/IP (EIBnet/IP) communication



#### Order details

Type	Description
PG5 EIB	PG5 KNX/EIB (KNX standard) communication library for Saia PCD® controllers for serial and IP-based communication

#### Components of other providers

Weinzierl KNX IP Interface 730 ( <a href="http://www.weinzierl.de">www.weinzierl.de</a> )	KNXnet/IP Gateway
Weinzierl KNX IP Router 750 ( <a href="http://www.weinzierl.de">www.weinzierl.de</a> )	KNXnet/IP incl. router use
ABB IPS/S2.1 EIB/KNX IP Interface ( <a href="http://www.abb.com">www.abb.com</a> )	KNXnet/IP Gateway
ABB IPR/S2.1 EIB/KNX IP Router ( <a href="http://www.abb.com">www.abb.com</a> )	KNXnet/IP incl. router use
Weinzierl KNX BAOS 870 ( <a href="http://www.weinzierl.de">www.weinzierl.de</a> )	Serial (RS-232) KNX interface with BCU-2 protocol

#### ! Ethernet Gateways

When planning, it is important to bear in mind that some Ethernet gateways only support one communication channel. Every PCD or service tool, ETS for example, therefore requires its own interface to the KNX Bus.

#### Serial converter

However, it is inadvisable to connect using BCU-1 protocols. The BCU-1 protocol can cause telegrams to be lost between the gateway and the controller.