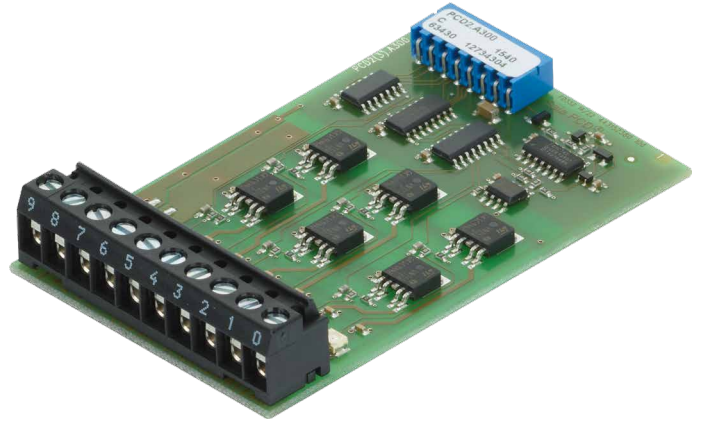


PCD2.A300

Digital output module, 6 outputs, transistors, 10...32 VDC/2 A

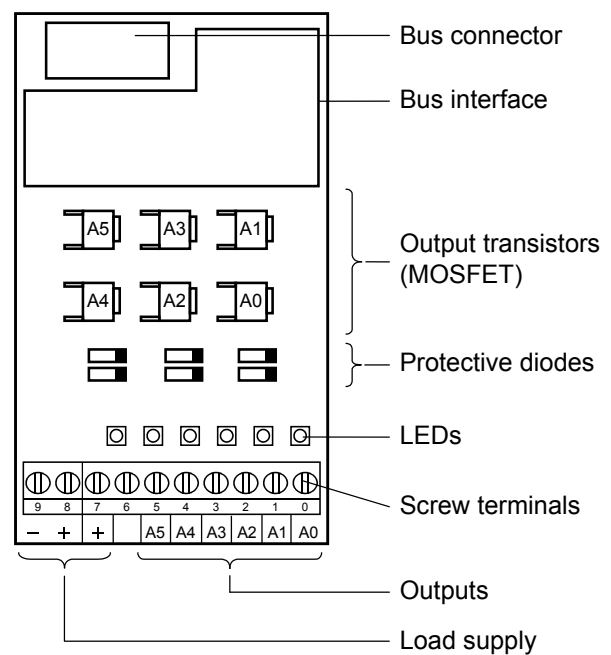


Low cost output module with 6 transistor outputs 5 mA ... 2 A, without short-circuit protection. The individual circuits are electrically connected; the voltage range is 10 ... 32 VDC.

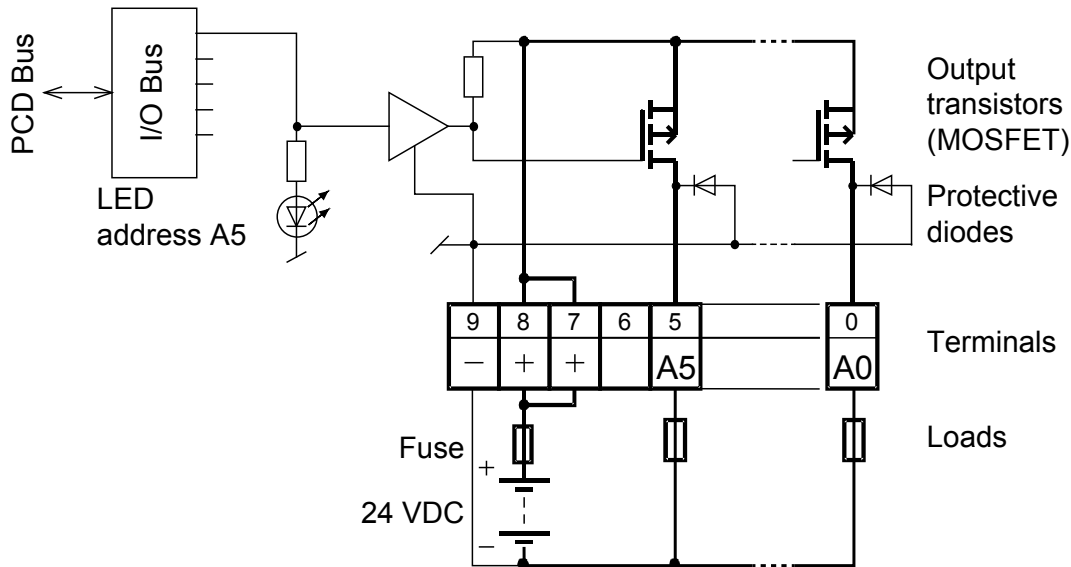
Technical data

Number of outputs	6, electrically connected
Output current	5 mA ... 2 A (leakage current max. 0.1 mA)
Total current per module	6 × 2 A = 12 A (on 100 % duty cycle)
Operating mode	Source operation (positive switching)
Voltage range	10 ... 32 VDC, smoothed 10 ... 25 VDC, pulsed
Voltage drop	0.2 V at 2 A
Output delay	Switch-on delay <1 μs Switch-off delay <200 μs with inductive loads the delay is longer, because of the protective diode
Isolation voltage	1000 VAC, 1 min
Resistance to interference acc. to IEC 801-4	4 kV under direct coupling 2 kV under capacitive coupling (whole trunk group)
Internal current consumption (from +5 V bus)	1 ... 20 mA; typically 12 mA
Internal current consumption (from V+ bus)	0 mA
External current consumption	Load current
Terminals	Type L: Pluggable 10-pole screw terminal block (4 405 4847 0), for wires up to 1.5 mm ²

LEDs and connection terminals



Output circuits and terminal designation



Output conducting (set): LED on
 Output disconnected (reset): LED off

Fuse: It is recommended that each module should be separately protected with a fast-blow (S) fuse of max. 12.5 A.



Watchdog: This module can be used on all base addresses; there is no interaction with the watchdog on the CPUs. For details, please refer to the "Watchdog" section of the manual 26-856_ENG, which describes the correct use of the watchdog in conjunction with PCD2 components.



I/O modules and I/O terminal blocks may only be plugged in and removed when the Saia PCD® and the external +24 V are disconnected from the power supply.

Ordering information

Type	Short description	Description	Weight
PCD2.A300	6 digital outputs for 2 A each	Digital output module, 6 outputs, transistors, 10...32 VDC/2 A	45 g

Accessories

Type	Short description	Description	Weight
4 405 4847 0	Plug-in, type L	Plug-in screw terminal block, 10-pin (type L) for wires up to 1.5 mm ² , labelling 0...9	17 g

Saia-Burgess Controls AG

Bahnhofstrasse 18 | 3280 Murten, Switzerland
 T +41 26 580 30 00 | F +41 26 580 34 99
 www.saia-pcd.com

support@saia-pcd.com | www.sbc-support.com