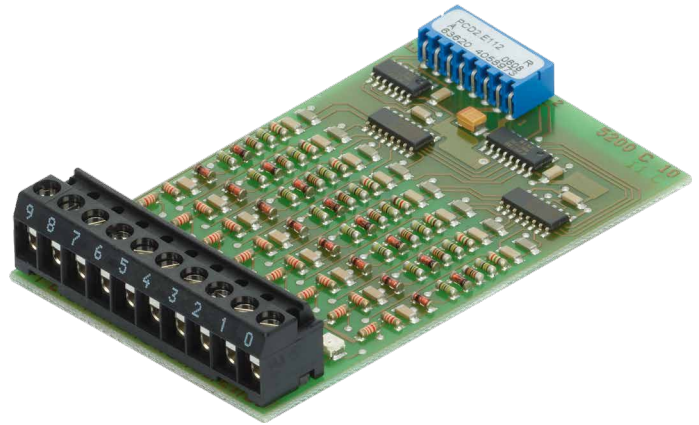


PCD2.E112

8 digital inputs,
electrically connected,
source or sink operation

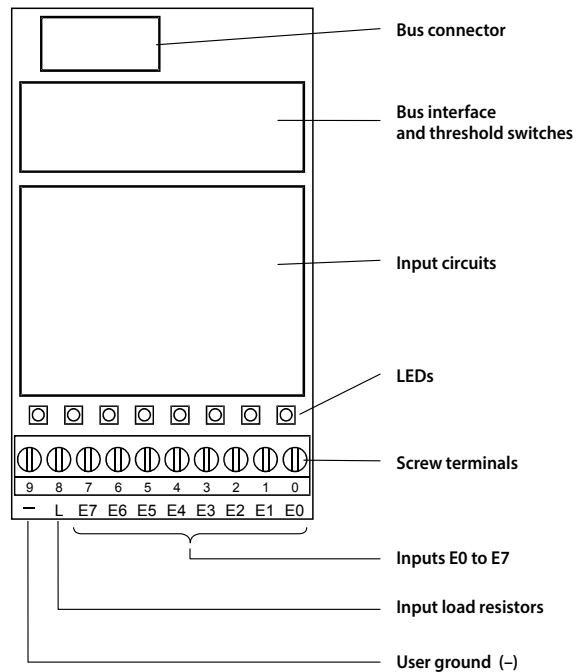


Low-cost input module for source or sink operation with 8 inputs, electrically connected. Suitable for most electronic and electromechanical switching elements at 12 VDC.

Technical data

Number of inputs	8 electrically connected, source or sink operation
Input voltage	12 VDC (7.5...15 VDC) smoothed, max. 10 % residual ripple
Input current	6 mA at 12 VDC
Input delay	typically 9 ms
Resistance to interference acc. to IEC 801-4	2 kV under capacitive coupling (whole trunk group)
Internal current consumption (from +5 V bus)	1...24 mA; typically 12 mA
Internal current consumption (from V+ bus)	0 mA
External current consumption	max. 48 mA (all inputs=1) at 12 VDC
Terminals	Pluggable 10-pole screw terminal block (4 405 4847 0), for wires up to 1.5 mm ²

LEDs and connection terminals



Watchdog: This module can be used on all base addresses; there is no interaction with the watchdog on the CPUs. For details, please refer to the "Watchdog" section of the manual 26-856_ENG, which describes the correct use of the watchdog in conjunction with PCD2 components.

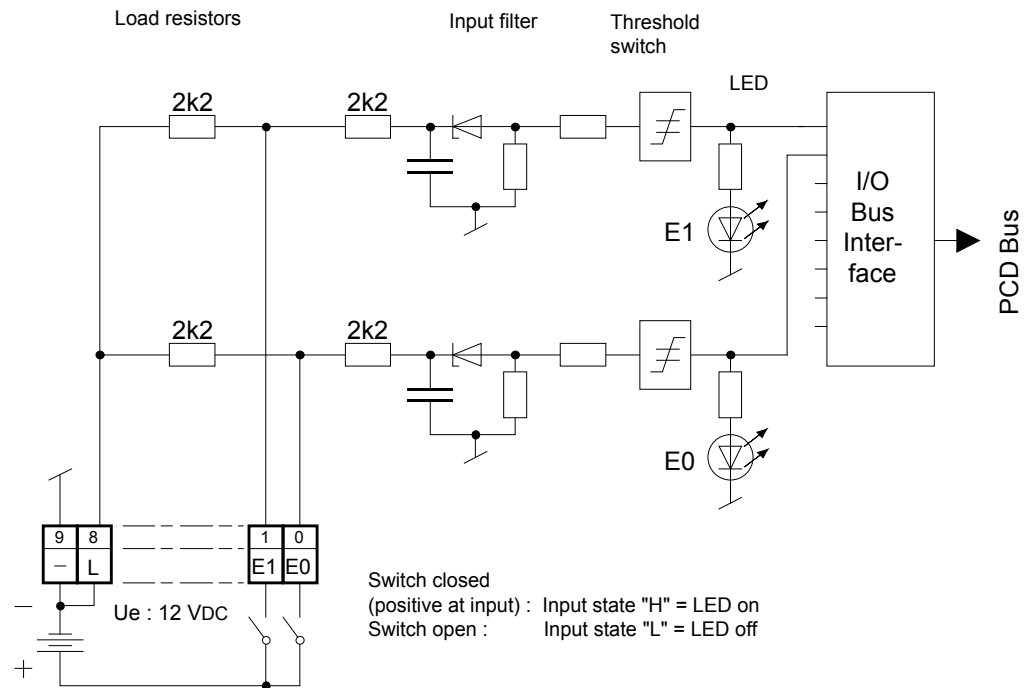


I/O modules and I/O terminal blocks may only be plugged in and removed when the Saia PCD® and the external +12 V are disconnected from the power supply.

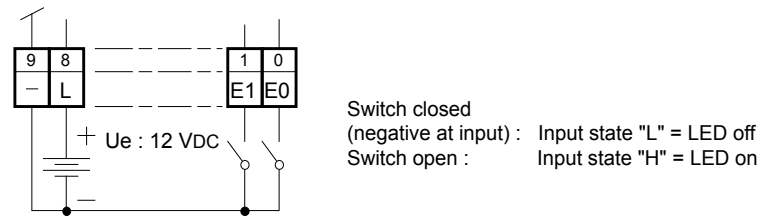


Information to connection cables can be found in the Manual on "System cables and connection system" 26-792_ENG.

Source operation (positive logic):



Sink operation (negative logic):



Ordering information

Type	Short description	Description	Weight
PCD2.E112	8 digital inputs, electrically connected, source or sink operation	Digital input module, 8 inputs, 12 VDC, source and sink operation, 9 ms input delay	35 g

Accessories

Type	Short description	Description	Weight
PCD2.K261/K263	Sheathed, round cable with 10 strands of 0.5 mm ² . length PCD2.K261 = 1,5 m length PCD2.K273 = 3 m	Plug-in system cable for digital modules with 4, 6 or 8 I/Os or relay interface PCD2.K55x. PCD side: 10-pole, plug-in screw terminal block Process side: strand ends free, numbered	140 / 260 g
PCD2.K271/K272	Sheathed, shielded cable with 10 strands of 0.25 mm ² . length PCD2.K271 = 1,5 m length PCD2.K273 = 3 m	Plug-in system cable for analogue I/O modules and ..H modules. Sheathed, screened, round cable; PCD side: 10-pole, plug-in screw terminal block P rocess side: strand ends free, numbered	100 / 290 g

Saia-Burgess Controls AG

Bahnhofstrasse 18 | 3280 Murten, Switzerland
T +41 26 580 30 00 | F +41 26 580 34 99
www.saia-pcd.com

support@saia-pcd.com | www.sbc-support.com