

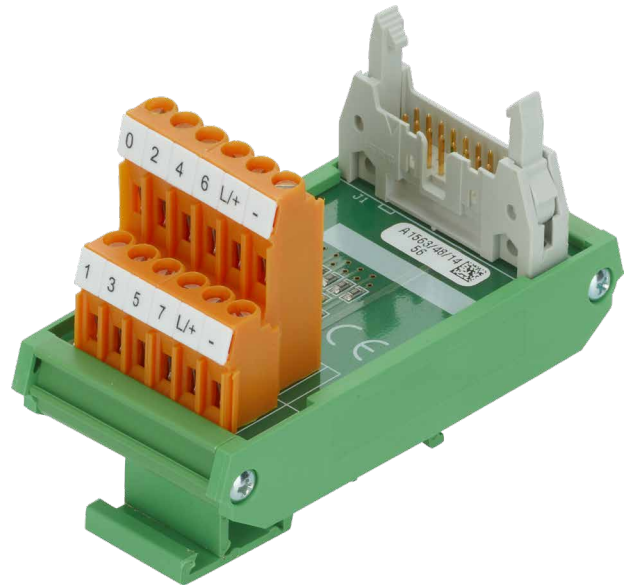
# PCD2.K511

## Terminator adapter for I/O modules with ribbon connection

Ribbon / screw terminal adapter for 8 inputs or 8 outputs, with LEDs (source operation).

PCD side: 16-pole ribbon connector

Process side: 2 × 6 screw terminals

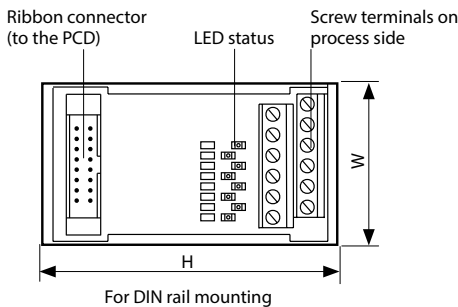


Pre-assembled system cables and terminal adapter modules support the fast integration of the integration of the Saia PCD® I/O modules into the switch cabinet. I/O modules with ribbon connections, in particular, can be installed quickly and easily in the switch cabinet. The modules with terminals can also be connected to the adapters using traditional stranded wires. The adapters either are available for galvanic separation of the outputs with relays or as simple I/O adapters with voltage distribution.

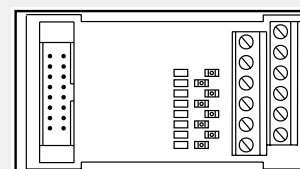
To facilitate and speed up the installation of controllers, various adapters are available that can be connected direct to the Saia PCD® I/O modules via system cables.

### Terminator adapter for I/O modules with ribbon connection

#### Mechanical design



#### Terminal adapter for 8 inputs/outputs

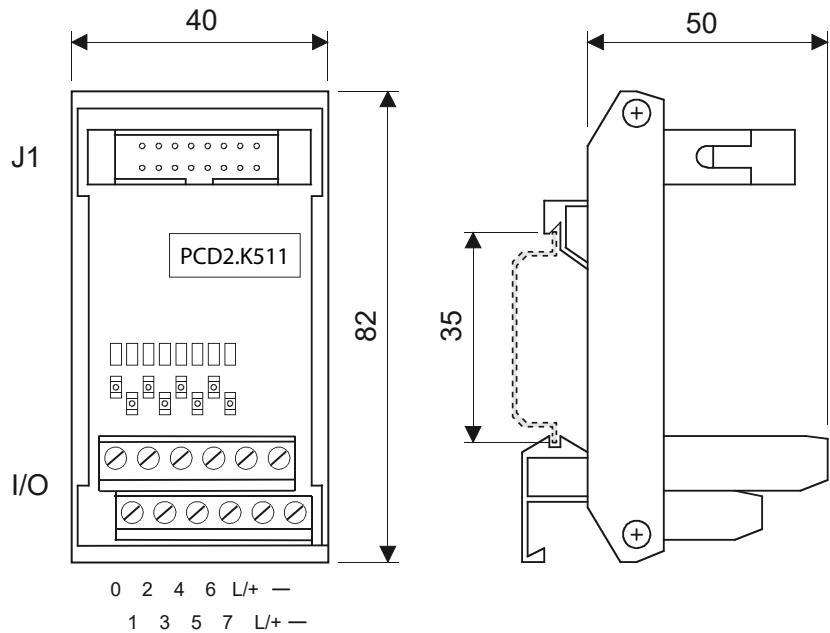


**Terminal adapter PCD2.K511**  
 16-pin ribbon connector at the PCD end  
 Process end 2×6  
 Screw terminals 0.5...1.5 mm<sup>2</sup>  
 PCD2.K511 with LEDs (source operation only)

Dimensions: 42 × 82 × 60 mm (W × H × D)

## Colour coding and pin configuration:

J1	I/O
2	7
4	6
6	5
8	4
10	3
12	2
14	1
16	0
1/3/5/7	–
9/11/13/15	L/+



I/O modules and I/O terminal blocks may only be plugged in and removed when the Saia PCD® and the external +24 V are disconnected from the power supply.

## Ordering information

Type	Short description	Description	Weight
PCD2.K511	Ribbon/screw terminal adapters	Ribbon / screw terminal adapter for 8 inputs or 8 outputs, with LEDs (source operation); PCD side: 16-pole ribbon connector Process side: 2 × 6 screw terminals	100 g

## Accessories

Type	Short description	Description	Weight
PCD2.K241	Plug-in system cables for PCD2 I/O modules	Plug-in system cable for 2 terminal adapters PCD2.K51x or relay interface PCD2.K55x. Sheathed, half-round cable, length 1.0 m (type D); PCD side: 34-pole ribbon cable connector Process side: two 16-pole ribbon cable connectors	120 g
PCD2.K242	Plug-in system cables for PCD2 I/O modules	Plug-in system cable for 2 terminal adapters PCD2.K51x or relay interface PCD2.K55x. Sheathed, half-round cable, length 2.0 m (type D); PCD side: 34-pole ribbon cable connector Process side: two 16-pole ribbon cable connectors	200 g

### Saia-Burgess Controls AG

Bahnhofstrasse 18 | 3280 Murten, Switzerland  
T +41 26 580 30 00 | F +41 26 580 34 99  
www.saia-pcd.com

support@saia-pcd.com | www.sbc-support.com