

PCD3.A220

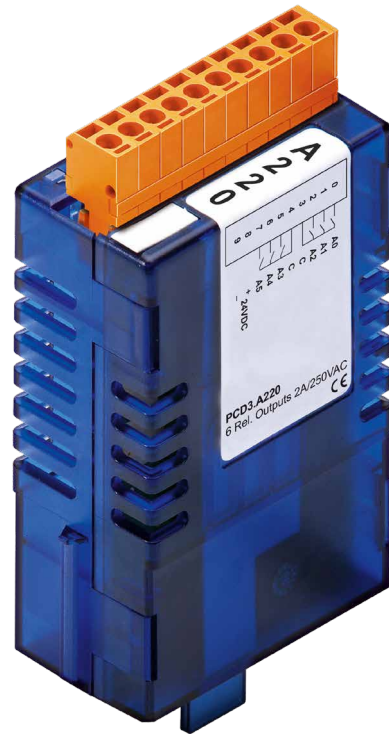
Digital output module,
2 × 3 relays, 250 VAC/2 A,
'make' contact,
without contact protection

The module contains 6 relays with normally-open contacts for direct or alternating current up to 2 A, 250 VAC. The module is especially suited wherever AC switching circuits with infrequent switching have to be controlled. For space reasons, there is no integrated contact protection. Each group of 3 relays has a common connection.

Technical data

Number of outputs	3 + 3 make contacts with common terminal	
Type of relay (typical)	RE 030024, SCHRACK	
Switching capacity (contact lifetime)	2 A, 250 VAC AC1 1 A, 250 VAC AC11 2 A, 50 VDC DC1 1 A, 24 VDC DC11	0.7 × 10 ⁶ operations 1.0 × 10 ⁶ operations 0.3 × 10 ⁶ operations ³⁾ 0.1 × 10 ⁶ operations ¹⁾³⁾
Relay coil supply ²⁾	nominal 24 VDC smoothed or pulsed, 8 mA per relay coil	
Voltage tolerance, dependent on ambient temperature	20 °C: 17.0 ... 35 VDC 30 °C: 19.5 ... 35 VDC 40 °C: 20.5 ... 32 VDC 50 °C: 21.5 ... 30 VDC	
Output delay	typically 5 ms bei 24 VDC	
Resistance to interference acc. to IEC 801-4	4 kV under direct coupling 2 kV under capacitive coupling (whole trunk group)	
Internal current consumption (from +5 V bus)	1 ... 20 mA typically 10 mA	
Internal current consumption (from V+ bus)	0 mA	
External current consumption	max. 48 mA	
Terminals	Type A: Pluggable 10-pole spring terminal block (4 405 4954 0), for wires up to 2.5 mm ²	

1) With external protective diode
2) With reverse voltage protection
3) These ratings are not UL-listed



In the manual 27-600_ENG, in the Chapter appendix A.4 relay contacts, are calculation data and wiring suggestions or the relay contacts. These data should be absolutely considered for safe switching and a long life span of the relays.



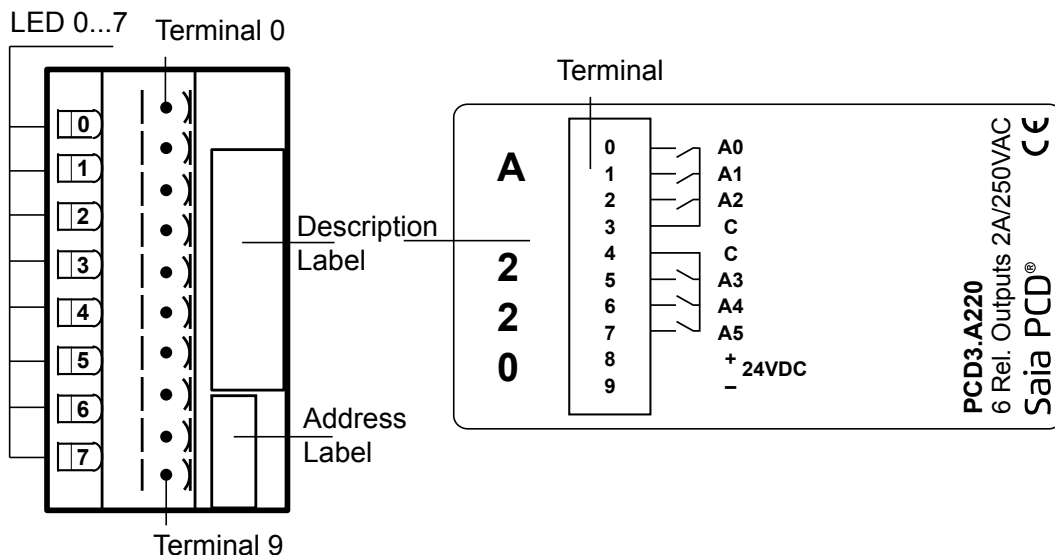
Installation instructions

For reasons of safety it is not permissible to connect low voltages (up to 50 V) and higher voltages (50...250 V) to the same module.

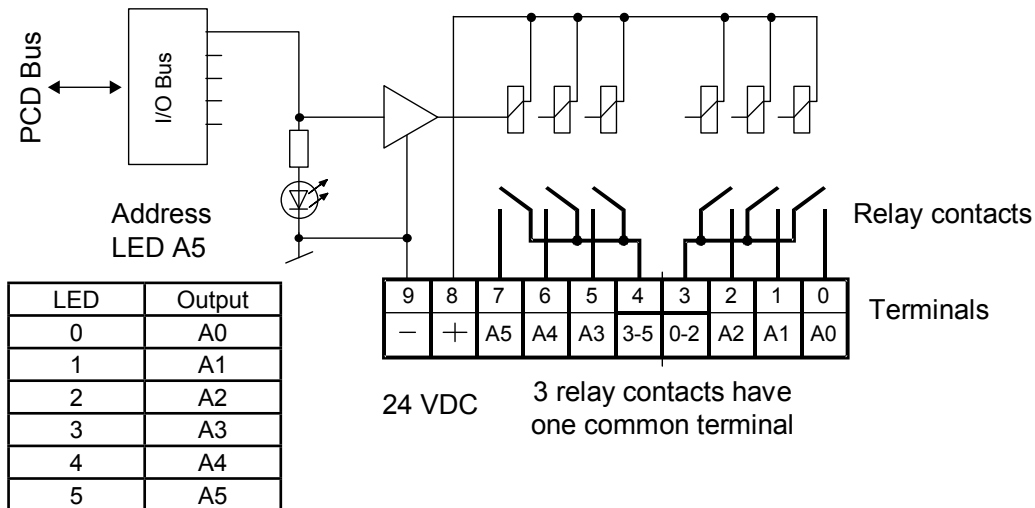
If a Saia PCD® module is connected to a higher voltage (50...250 V), approved components for this voltage must be used for all elements that are electrically connected to the system.

Using higher voltage (50...250 V), all connections to the relay contacts must be connected on the same circuit, i.e. in such a way that they are all protected against one AC phase by one common fuse. Each load circuit may also be protected individually. .

LEDs and connection terminals



Output circuits and terminal designation



Relay energized (contact closed): LED on
 Relay reset (contact open): LED off
 24 VDC must be connected to the +/- terminals.



Watchdog: This module can be used on all base addresses; there is no interaction with the watchdog on the CPUs. For details, please refer to the "Watchdog" section of the manual 26-789_ENG, which describes the correct use of the watchdog in conjunction with PCD3 components.



I/O modules and I/O terminal blocks may only be plugged in and removed when the Saia PCD® and the external +24 V are disconnected from the power supply.



EAC Mark of Conformity for Machinery Exports to Russia, Kazakhstan or Belarus.

Ordering information

Type	Short description	Description	Weight
PCD3.A220	6 relays with make contacts, without contact protection	Digital output module, 2 × 3 relays, 250 VAC/2 A, 'make' contact, without contact protection	100 g

Accessories

Type	Short description	Description	Weight
4 405 4954 0	Plug-in, type A	Plug-in screw terminal block, 10-pin (type A) for wires up to 2.5 mm ² , labelling 0...9	15 g

Saia-Burgess Controls AG

Bahnhofstrasse 18 | 3280 Murten, Switzerland
 T +41 26 580 30 00 | F +41 26 580 34 99
 www.saia-pcd.com

support@saia-pcd.com | www.sbc-support.com