

PCD3.A460

16 digital outputs for 0.5 A each,
with ribbon connector

Low cost output module with 16 transistor outputs
5 ... 500 mA, with short-circuit protection.
The individual circuits are electrically connected; the voltage
range is 10 ... 32 VDC.

Technical data

Number of outputs	16, electrically connected
Output current	5 ... 500 mA (leakage current max. 0,1 mA.) Within the voltage range 10 ... 24 VDC, the load resistance should be at least 48 Ω
Short circuit protection	yes
Total current per module	8 A on 100 % duty cycle
Operating mode	Source operation (positive switching)
Voltage range	10...32 VDC, smoothed, max. 10 % residual ripple
Voltage drop	≤ 0,3 V at 0,5 A
Output delay	typically 50 μs, max. 100 μs for resistive load
Resistance to interference acc. to IEC 801-4	4 kV under direct coupling 2 kV under capacitive coupling (whole trunk group)
Internal current consumption (from +5 V bus)	max 10 mA (all outputs = "1") typically 8 mA
Internal current consumption (from V+ bus)	0 mA
External current consumption	Load current
Terminals	34-pole ribbon cable connector



Watchdog: This module can interact with the watchdog.

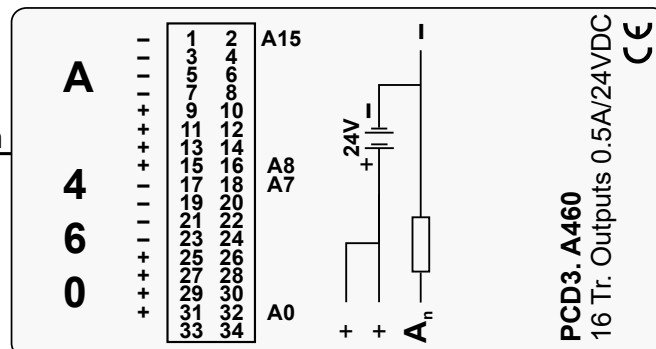
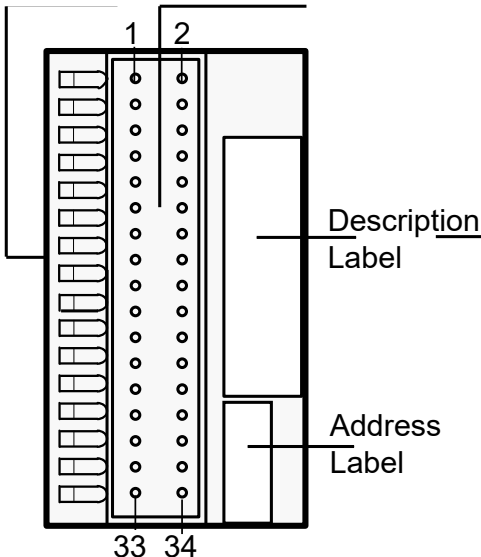
For details, please refer to the "Watchdog" section of the manual 27-600_ENG, which describes the correct use of the watchdog in conjunction with Saia PCD components.

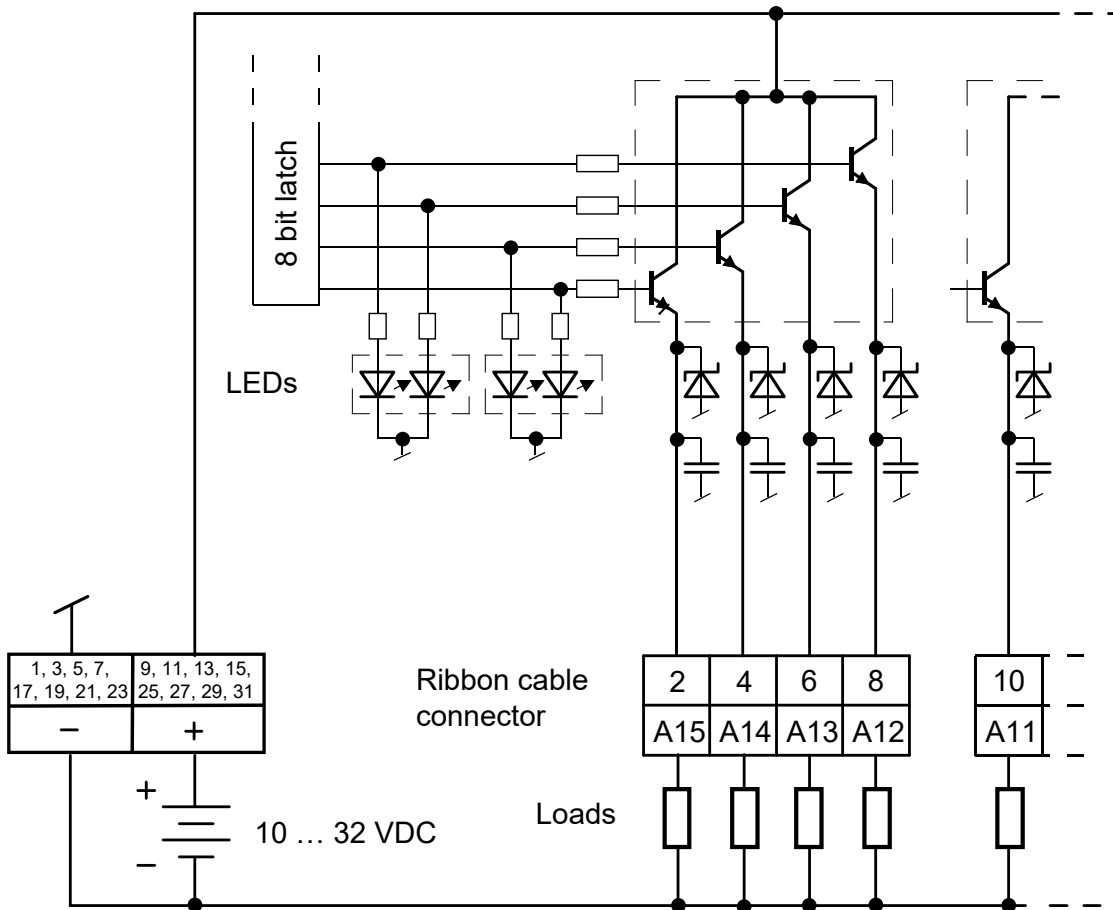


I/O modules and I/O terminal blocks may only be plugged in and removed when the Saia PCD® and the external +24 V are disconnected from the power supply.

LEDs and connection terminals

LED 0...15 Terminals





Further information can be found in the Manual on "I/O-modules for PCD1 / PCD2 series and for PCD3 series PCD2 and PCD3" 27-600_ENG.

Ordering information

Type	Short description	Description	Weight
PCD3.A460	16 digital outputs for 0.5 A each, with ribbon cable connector	Digital output module, 16 outputs, transistors, 10...32 VDC/0.5 A, ribbon cable connector for PCD2.K2xx	80 g

Accessories

Type	Short description	Description	Weight
PCD2.K221/K223	Plug-in system cable for digital modules with 16 I/Os. length PCD2.K221 = 1,5 m length PCD2.K223 = 3 m	Sheathed, round cable, (type D); PCD side: 34-pole ribbon cable connector Process side: strand ends free, colour-coded	230 / 330 g
PCD2.K231/K232	Plug-in system cable for terminal adapters PCD2.K520/..K521/..K525. length PCD2.K231 = 1 m length PCD2.K232 = 2 m	Sheathed, half-round cable, (type D); PCD side: 34-pole ribbon cable connector Process side: 34-pole ribbon cable connector	140 / 220 g
PCD2.K241/K242	Plug-in system cable for 2 terminal adapters PCD2.K51x or relay interface PCD2.K55x. length PCD2.K241 = 1 m length PCD2.K242 = 2 m	Sheathed, half-round cable, (type D); PCD side: 34-pole ribbon cable connector Process side: two 16-pole ribbon cable connectors	120 / 200 g

Saia-Burgess Controls AG

Bahnhofstrasse 18 | 3280 Murten, Switzerland
T +41 26 580 30 00 | F +41 26 580 34 99
www.saia-pcd.com

support@saia-pcd.com | www.sbc-support.com