

# PCD3.E160

## 16 digital inputs, ribbon cable connector

Module for source or sink operation with 16 inputs, electrically connected. Suitable for most electronic and electromechanical switching elements at 24 VDC.

### Technical data

Number of inputs	16 electrically connected, source or sink operation
Input voltage	24 VDC (15 ... 30 VDC) smoothed or pulsed
Input current	4 mA per input at 24 VDC
Input delay	typically 8 ms
Resistance to interference: acc. to IEC1000-4-4	2 kV under capacitive coupling (whole trunk group)
Internal current consumption: (from +5 V bus)	1 ... 10 mA typically 8 mA
Internal current consumption: (from V+ bus)	0 mA
External current consumption	max. 64 mA (all inputs=1) at 24 VDC
Terminals	34-pole ribbon cable connector



**Watchdog:** This module can interact with the watchdog.

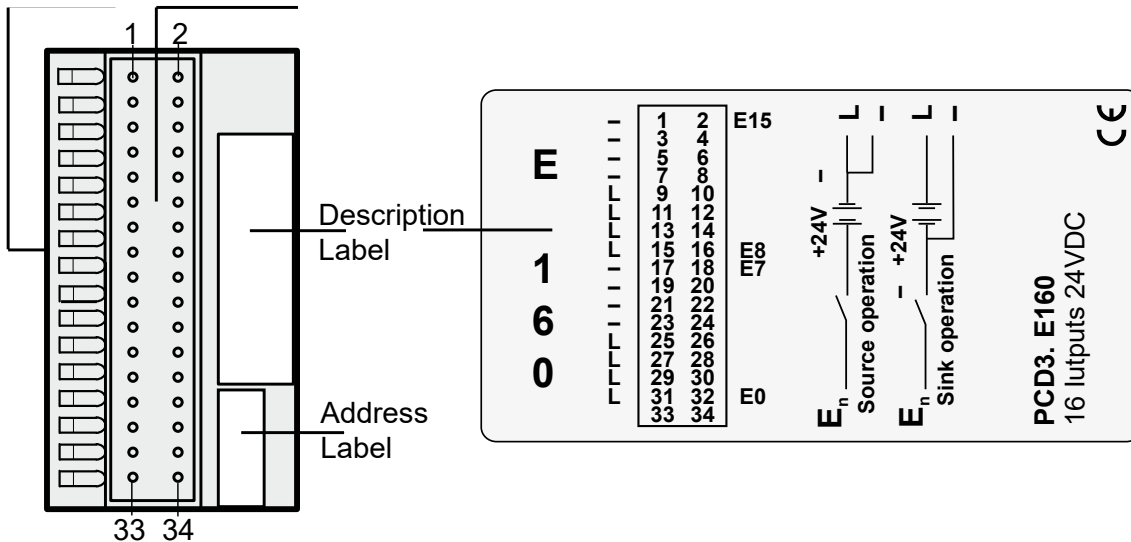
For details, please refer to the "Watchdog" section of the manual 27-600\_ENG, which describes the correct use of the watchdog in conjunction with Saia PCD components.



I/O modules and I/O terminal blocks may only be plugged in and removed when the Saia PCD® and the external +24 V are disconnected from the power supply.

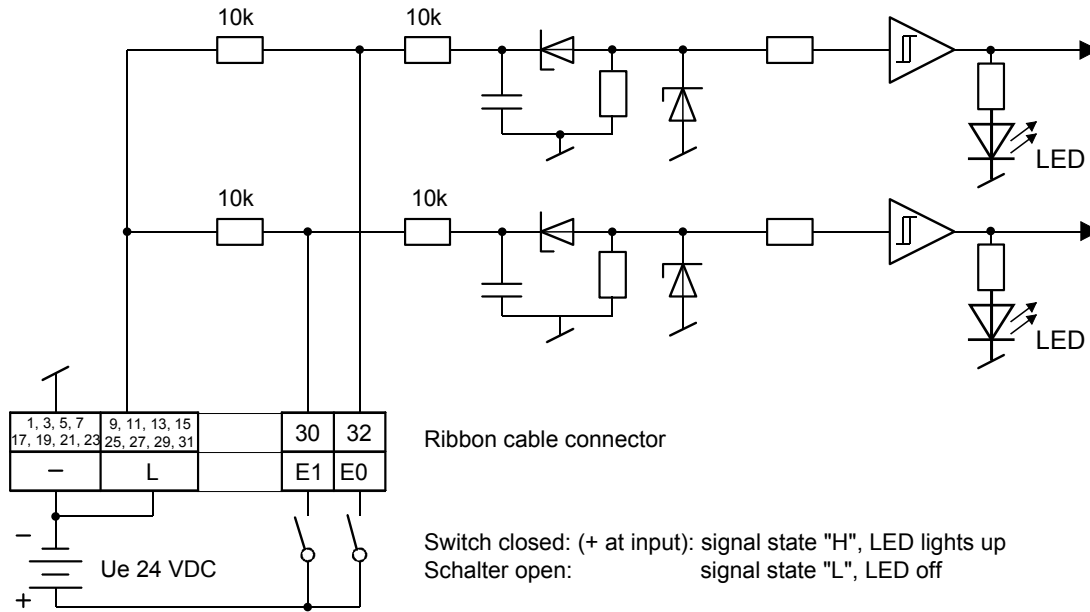
### LEDs and connection terminals

LED 0...15 Terminals

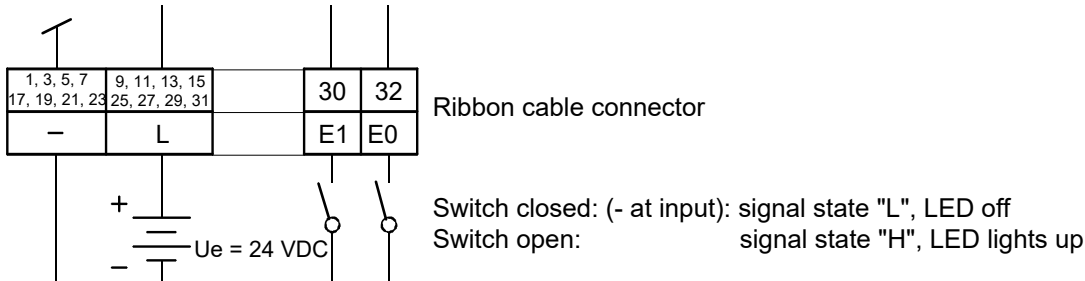


## Output circuits and terminal designation

### Source operation (positive logic):



### Sink operation (negative logic):



Further information can be found in the Manual on "I/O-modules for PCD1 / PCD2 series and for PCD3 series PCD2 and PCD3" 27-600\_ENG.

## Ordering information

Type	Short description	Description	Weight
PCD3.E160	16 digital inputs, ribbon cable connector	Digital input module, 16 inputs, 24 VDC, source and sink operation, 8 ms input delay, ribbon cable connector for PCD2.K2xx	80 g

## Accessories

Type	Short description	Description	Weight
PCD2.K221/K223	Plug-in system cable for digital modules with 16 I/Os. length PCD2.K221 = 1,5 m length PCD2.K223 = 3 m	Sheathed, round cable, (type D); PCD side: 34-pole ribbon cable connector Process side: strand ends free, colour-coded	230 / 330 g
PCD2.K231/K232	Plug-in system cable for terminal adapters PCD2.K520/..K521/..K525. length PCD2.K231 = 1 m length PCD2.K232 = 2 m	Sheathed, half-round cable, (type D); PCD side: 34-pole ribbon cable connector Process side: 34-pole ribbon cable connector	140 / 220 g
PCD2.K241/K242	Plug-in system cable for 2 terminal adapters PCD2.K51x or relay interface PCD2.K55x. length PCD2.K241 = 1 m length PCD2.K242 = 2 m	Sheathed, half-round cable, (type D); PCD side: 34-pole ribbon cable connector Process side: two 16-pole ribbon cable connectors	120 / 200 g

### Saia-Burgess Controls AG

Bahnhofstrasse 18 | 3280 Murten, Switzerland  
T +41 26 580 30 00 | F +41 26 580 34 99  
www.saia-pcd.com

support@saia-pcd.com | www.sbc-support.com