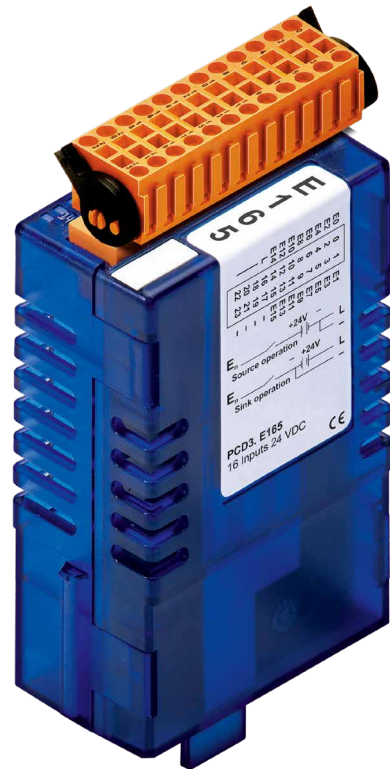


# PCD3.E165

## Digital input module, 16 inputs, 24 VDC

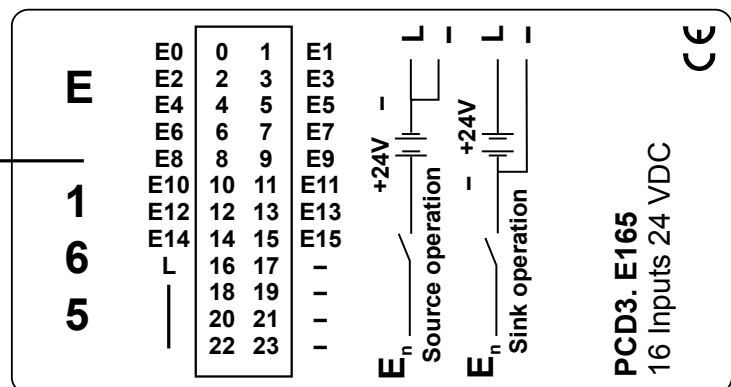
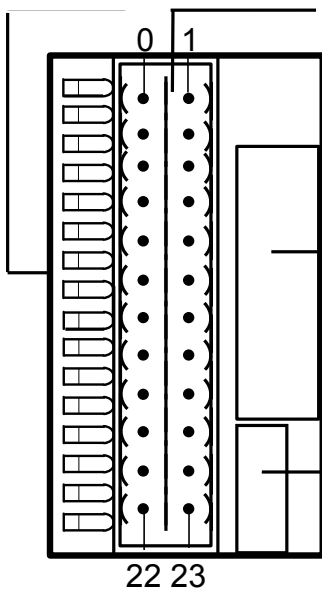
Low-cost input module for source or sink operation with 16 inputs, electrically connected.  
 Suitable for most electronic and electromechanical switching elements at 24 VDC.



Technical data	
Number of inputs	16 electrically connected, source or sink operation
Input voltage	24 VDC (15...30VDC) smoothed or pulsed
Input current	4 mA per input at 24 VDC
Input delay	typically 8 ms
Resistance to interference acc. to IEC1000-4-4	2 kV under capacitive coupling (whole trunk group)
Internal current consumption (from +5 V bus)	1...10 mA typically 8 mA
Internal current consumption (from V+ bus)	0 mA
External current consumption	max. 64 mA (all inputs=1) at 24 VDC
Terminals	Pluggable 24-pole spring terminal block (4 405 4956 0), for Ø up to 1 mm <sup>2</sup>

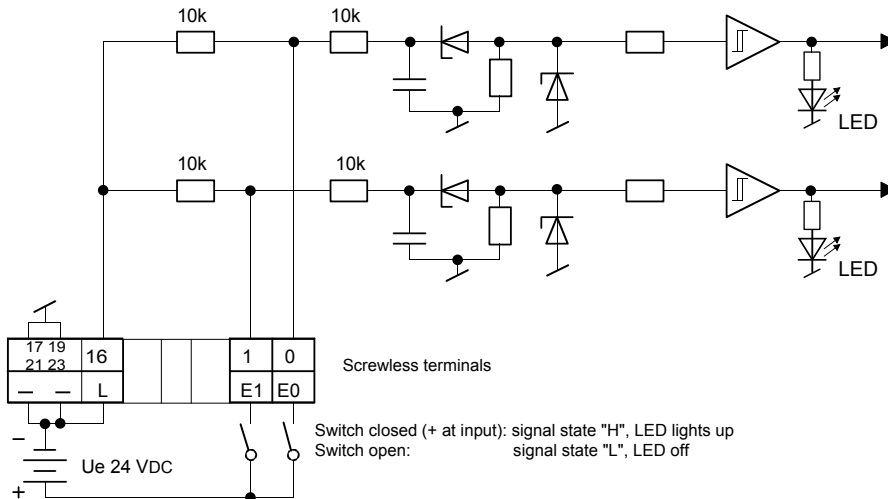
### LEDs and connection terminals

LED 0...15 Terminals

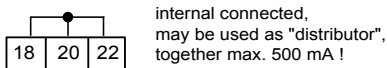
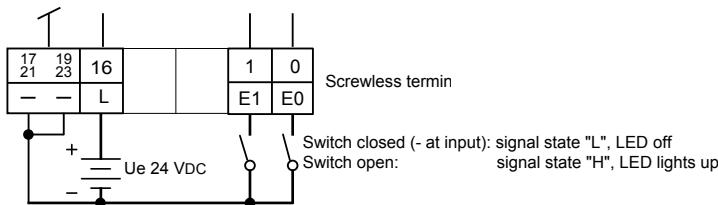


## Output circuits and terminal designation

Source operation (positive logic):



Sink operation (negative logic):



Watchdog: This module can interact with the watchdog, if it is used on base address 240. In this case, the last input with address 255 cannot be used.

For details, please refer to the section "A4 Hardware Watchdog" of the manual "27-600 ENG", which describes the correct use of the watchdog in conjunction with PCD components.



I/O modules and I/O terminal blocks may only be plugged in and removed when the Saia PCD® and the external +24 V are disconnected from the power supply.

## Ordering information

Type	Short description	Description	Weight
PCD3.E165	Digital input module, 16 inputs, 24 VDC	Digital input module, 16 inputs, 24 VDC, source and sink operation, 8 ms input delay, (connector type C included)	80 g

## Accessories

Type	Short description	Description	Weight
4 405 4956 0	Plug-in, type C	Plug-in I/O spring terminal block, 2 × 12-pole up to 1.0 mm <sup>2</sup> , labelled 0 to 23, for modules with 16 I/Os or relay module PCD3.A251, connector type "C"	15 g

## Saia-Burgess Controls AG

Bahnhofstrasse 18 | 3280 Murten, Switzerland  
T +41 26 580 30 00 | F +41 26 580 34 99  
www.saia-pcd.com

support@saia-pcd.com | www.sbc-support.com