

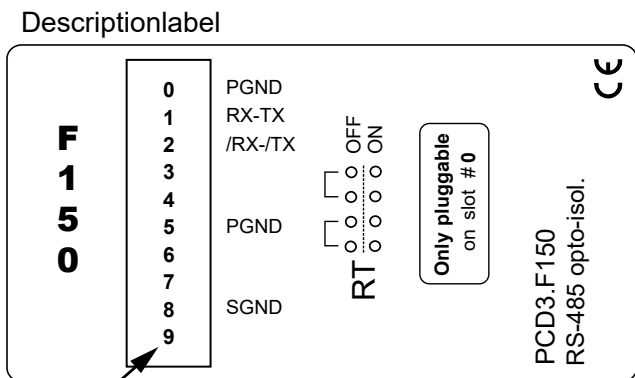
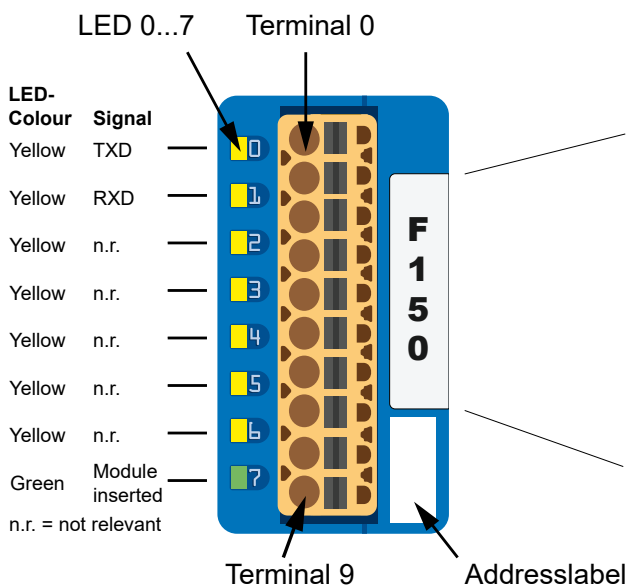
PCD3.F150

Serial interface module RS-485 with galvanic isolation

RS-485, electrically isolated, with line termination resistors capable of activation, for I/O module Slot 0. To change the jumper (activate line termination resistors), the module housing has to be opened, as described on page 2 "Open the module housing", to reach the PCD7.F150S circuit board.

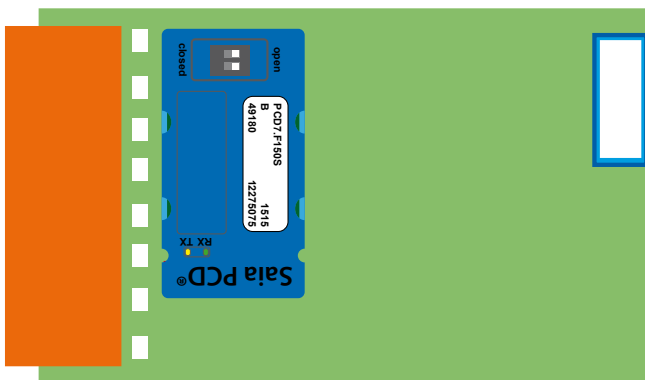


LEDs and connection terminals

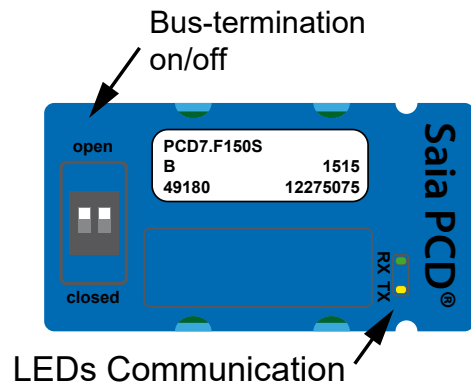


Terminals SGND (galv. sep.) has to be connected with the shield of the cable

Position of the PCD7.F150S



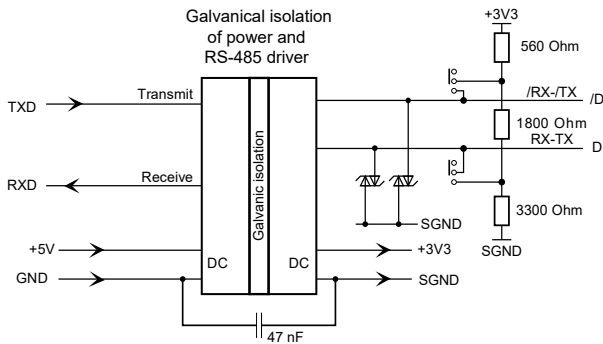
Position of the slide switch



On this circuit board there are components that are sensitive to electrostatic discharges.

Recommendation: Before coming into contact with electrical components, you should at least touch the Minus of the system (cabinet of PGU connector). It is better to use a grounding wrist strap with its cable permanently attached to the Minus of the system.

Block diagram



To guarantee error-free operation of an RS-485 network, the network should be terminated at both ends. Cable and line termination resistors should be selected in accordance with manual 26-740 ENG "Installation components for RS-485 networks".

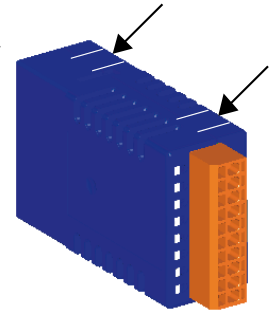


The potential difference between PGND and the data lines Rx-Tx, /Rx-/Tx (and SGND) is limited to 50 V by a suppressor capacitor.

Open the module housing

Open

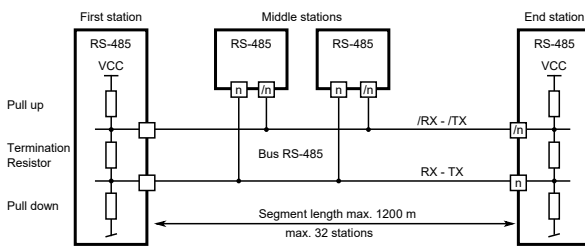
On each of the two narrow sides of the housing are two snap-in clips. Lift these gently with your fingernails on one side then the other and separate the two parts of the housing.



Close

To close the housing, lay the bottom part on a flat surface (table etc.). Ensure that the circuit board is precisely located in this part of the housing. Press top part onto bottom until you hear the snap-in clips engage. Ensure that all four clips are correctly engaged.

Termination of a RS-485 bus segment



For installation details, see manual 26-740 ENG "Installation components for RS-485 networks"



Not all manufacturers use the same connection configuration, so the data lines may need to be crossed

Pin numbering

Pin	Name	Description
0	PGND	Ground
1	Rx-Tx	RS-485 signal
2	/Rx-/Tx	RS-485 signal
3	reserved	Don't use this pin
4	reserved	Don't use this pin
5	PGND	Ground
6	n.c.	No connected
7	n.c.	No connected
8	SGND	Shield ground
9	n.c.	No connected

Ordering information

Type	Short description	Description	Weight
PCD3.F150	Serial interface module RS-485 with galvanic isolation	Serial interface module RS-485 with galvanic isolation (connector type A included)	100 g

Accessories

Type	Short description	Description	Weight
4 405 4954 0	Plug-in, type A	Plug-in screw terminal block, 10-pin (type A) for wires up to 2.5 mm ² , labelling 0...9	15 g

Saia-Burgess Controls AG

Bahnhofstrasse 18 | 3280 Murten, Switzerland
T +41 26 580 30 00 | F +41 26 580 34 99
www.saia-pcd.com

support@saia-pcd.com | www.sbc-support.com